

● **主要数据 Main technical data:**

防腐标志: WF2

使用环境温度: $-40^{\circ}\text{C} < \text{Ta} < 40^{\circ}\text{C}$

防护等级: IP66

频率: 50/60Hz

额定电压: 4极 可至 690V~

5极 可至 500V~

额定电流: 最大 16A

开关容量: AC3 可至 400V~/16A

电缆入口: 壁式插座(底部) $1 \times \text{M}25 \quad \Phi 8 \sim 17\text{mm}$

其它形式详见 C1/06 页

4极插头、连接耦合式: 电缆外径 $\Phi 6 \sim 15\text{mm}$

5极插头、连接耦合式: 电缆外径 $\Phi 8 \sim 16\text{mm}$

Corrosion-proof mark: WF2

Ambient temperature use: $-40^{\circ}\text{C} < \text{Ta} < 40^{\circ}\text{C}$

Degree of protection: IP66

Frequency: 50/60Hz

Rated voltage: 4 Poles up to 690V~

5 Poles up to 500V~

Rated current: maximum 16A

Switch capacity: AC3 16A up to 400V~/16A

Cable entry: Wall type socket (bottom) $1 \times \text{M}25 \quad \Phi 8 \sim 17\text{mm}$

See page C1/06 for other forms

4 Poles Plug, coupler type Cable outside diameter $\Phi 6 \sim 15\text{mm}$

5 Poles Plug, coupler type Cable outside diameter $\Phi 8 \sim 16\text{mm}$

● **订购规格 Order**

4极: 4P

5极: 5P

6极: 6P

7极: 7P

8极: 8P

9极: 9P

10极: 10P

12极: 12P

14极: 14P

16极: 16P

18极: 18P

20极: 20P

24极: 24P

28极: 28P

32极: 32P

36极: 36P

40极: 40P

44极: 44P

48极: 48P

52极: 52P

56极: 56P

60极: 60P

64极: 64P

68极: 68P

72极: 72P

76极: 76P

80极: 80P

84极: 84P

88极: 88P

92极: 92P

96极: 96P

100极: 100P

104极: 104P

108极: 108P

112极: 112P

116极: 116P

120极: 120P

124极: 124P

128极: 128P

132极: 132P

136极: 136P

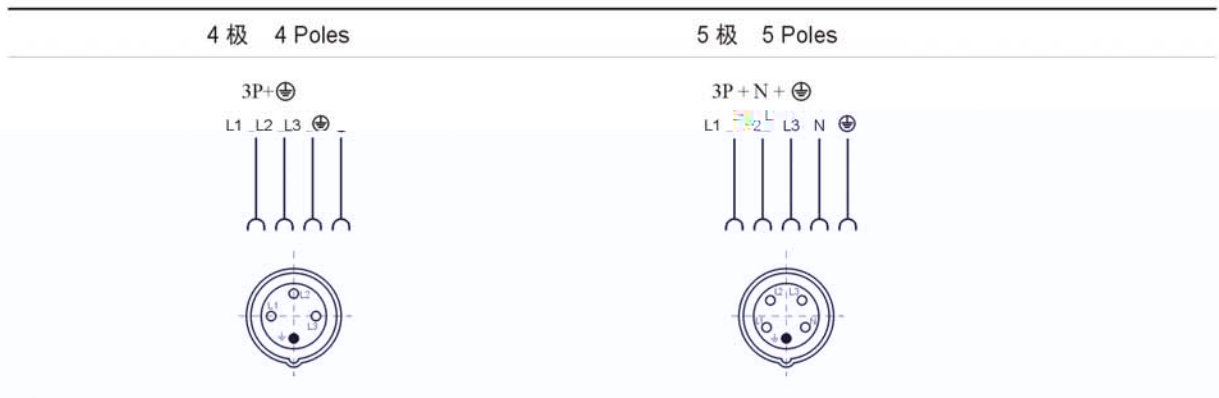
140极: 140P

144极: 144P

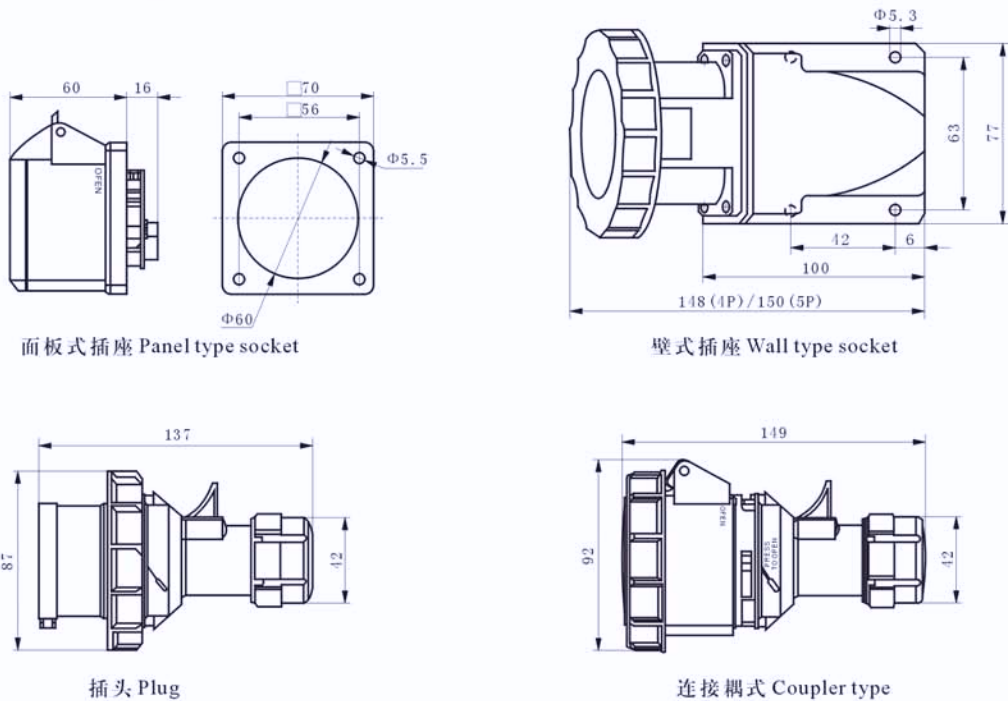
148极: 148P

152极: 152P

● 插接装置接线图 Wiring diagram of socket and plug:



● 外形尺寸 Outline dimensions:



● 壁式插座其它型式电缆入口 Other forms cable entries of wall type socket:

M0251 4506 00 □□

电缆引入装置编码 Code of cable gland

编码 Code	规格 Specification	连接板 Connecting board	电缆外径 Cable diameter
01	1 个塑制 CZ0220/M25 × 1.5 电缆密封套 One moulded plastic CZ0220/M25 × 1.5 cable gland	塑制 Moulded plastic	Φ8-17mm
03	1 个铜制 CZ0227/M25 × 1.5-G3/4" 增安型金属电缆密封套 One brass CZ0227/M25 × 1.5-G3/4" increasd safety metal cable gland	铜制 Brass	Φ11-15mm
04	1 个铜制 CZ0226/M25 × 1.5 增安型金属电缆密封套(填料函) One brass CZ0226/M25 × 1.5 increasd safety metal cable gland	铜制 Brass	A: Φ6-12.5mm B: Φ11.5-16mm