


描述:

全塑三防磁力起动器外壳采用耐冲击的玻璃纤维增强聚脂材料制成，能承受最极端的工业运行条件，外壳盖和基座的结合面设计成凹凸形，设有发泡硅橡胶密封结构，确保了 IP65 防护等级。

- 可逆型磁力起动器内置机械连锁

Descriptions:

The enclosure of full plastic weather-proof electromagnetic starter is made of anti-static glass fibre reinforced polyester which is resistant to impact. It is able to subject to the inverse industrial operating conditions. Concave-convex joint is designed between the cover and body to mount an air-foam silicone b_ou_nd, which secure degree of protection IP65.

- Reversible magnetic starter has an internal mechanical interlock.

F
主要数据 Main technical data:

防腐标志: WF2

防护等级: IP65

使用环境温度: $-40\text{C} < \text{Ta} < 55\text{C}$

外壳材料: 玻璃纤维增强聚脂 (SMC)

内装元件: C65小型断路器、LC2交流接触器
LR2热过载继电器、C65 EDZ塑壳断路器

PKZMC 电动机保护开关、

M0202 信号灯元件

M0201 按钮开关元件

UK 增安型接线端子

额定电压: 380 / 400V; 50 / 60Hz

额定电流: 1 ~ 630A

Corrosion-proof mark: WF2

Degree of protection: IP65

Ambient temperature use: $-40\text{C} < \text{Ta} < 55\text{C}$

Material of enclosure: glass fibre reinforced polyester (SMC)

Built-in component: C65 Miniature circuit breaker, LC2 AC contractor,
LR2 thermal overload relay.

C65 EDZ Moulded plastic circuit breaker

PKZMC Motor protection switches

M0202 Signal lamp components

M0201 Push button switch components

UK Increased safety terminal

Rated voltage: 380 / 400V; 50 / 60Hz

Rated current: 1 ~ 630A

订购规格 Order specifications:

型号含义 Model implication:

M0581 □ - T □ / □ - □ □

全塑三防磁力起动器
Full plastic weather-proof
electromagnetic starters

R — 电动机保护开关+交流接触器模块
Motor protection switches
+ AC contactor module

K — 断路器+起动器模块
Circuit breaker + Starter module

N — 可逆型磁力起动器
Reversible magnetic starter

电缆密封套编码 Code of cable glands

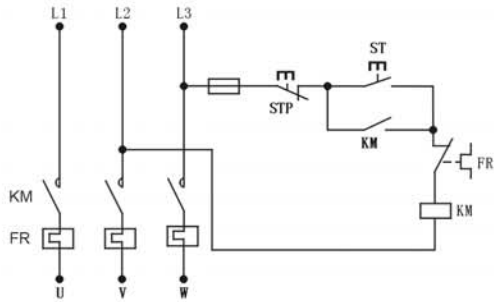
进线口数量 Number of entry

线圈工作电压(AC) Coil service voltage

功率 Power(kW)

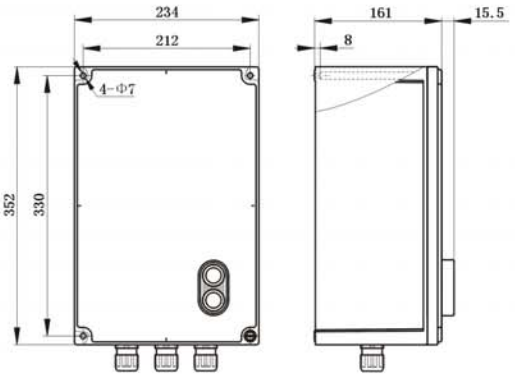
特殊要求按用户提供图纸制造
Special requirements, manufacture as drawings
provided by users

● 电气原理图 Electrical principal diagram:

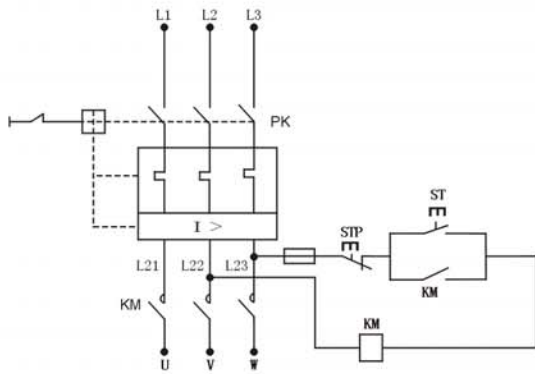


M0581 全塑三防磁力起动器

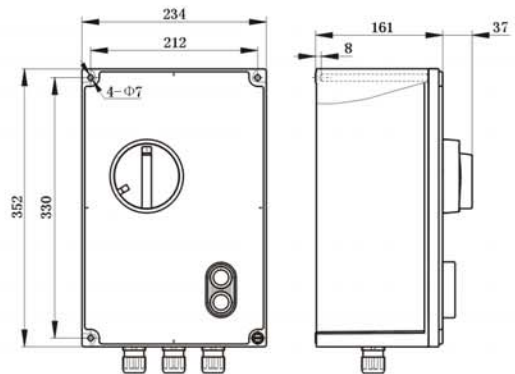
● 外形尺寸 Outline dimensions:



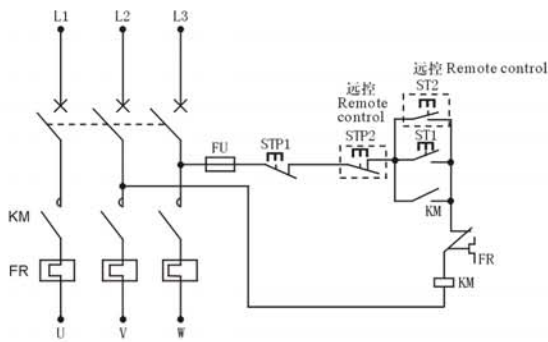
M0581 Full plastic weather-proof electromagnetic starters



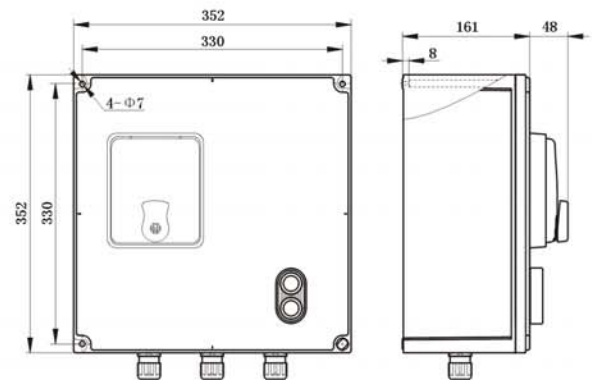
M0581R 全塑三防磁力起动器
(电动机保护开关 + 交流接触器模块)



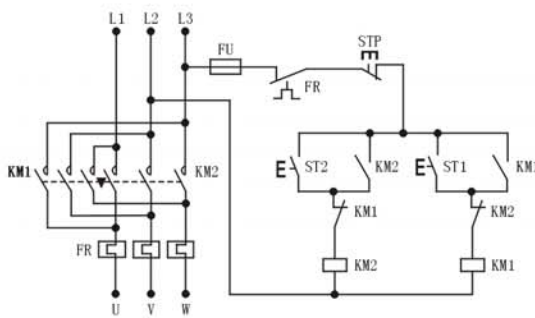
M0581R Full plastic weather-proof electromagnetic starters
(Motor protection switches + AC contactor module)



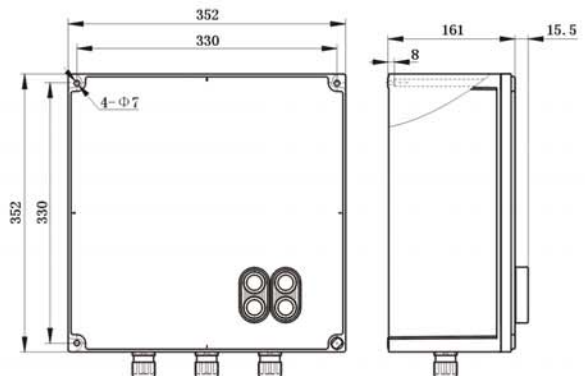
M0581K 全塑三防磁力起动器
(断路器 + 起动器模块)



M0581K Full plastic weather-proof electromagnetic starters
(Circuit breaker + starter module)



M0581N 可逆型全塑三防磁力起动器



M0581N Reversible full plastic weather-proof electromagnetic starters

F