



描述

LED三防照明灯外壳由铝合金压铸成型，表面喷涂纯环氧树脂粉末，抗腐蚀性能好。透明罩采用硼硅酸盐钢化玻璃，外露紧固件采用不锈钢材料。灯具内装Cree LED颗粒，经专业的光学配光设计组成光源模块，灯具散热结构经专业的热学分析设计及特制铝基板导热结构，确保灯具工作时所产生的热量能很好的散热。能满足石化、化学和海上工业照明的相关要求。

LED三防照明灯可分为吊杆灯、支架灯、平台灯、墙壁灯、马路灯。

LED三防照明平台灯 C-90° 安装形式可分为平台护栏式、平台法兰式两种。

LED三防照明平台灯 D-25° 安装形式可分为平台护栏式、平台法兰式两种。

- 防护等级高达IP66
- 安装维护方便

Descriptions:

The enclosures of LED weather-proof illumination light fittings are manufactured of die-cast aluminum alloy, with epoxy resin powder sprayed on the surfaces. Therefore, they have good anti-corrosion performance. The transparent cover is made by the toughened glass, and the exposed fasteners are made of stainless steel. Cree LED pellets inside form light source modules through professional optics distribution. Is equipped with three kinds of illumination Angle to choose from. Heat disposal which is designed with thermology analysis and the heat-conducting structure of specially made aluminum base board ensure good operational heat release. It can satisfy the related requirements of illumination in petrochemical, chemical and marine industries.

LED Weather-proof illumination light fittings can be sorted as: pendant pole type, bracket type, platform type, wall type and street type..

The mounting ways of the LED weather-proof illumination platform light fittings C-90° are fence type and platform flange type.

The mounting ways of the LED weather-proof illumination platform light fittings D-25° are fence type and platform flange type.

- The degree of protection is up to IP 66.
- It is convenient to be mounted and maintained.

● **主要数据 Main technical data:**

防腐标志: WF1
防护等级: IP66
额定电压: 100V~277V AC 50/60Hz
使用环境温度: -40℃ to +40℃/+55℃

Corrosion-proof mark: WF1
Degree of protection: IP66
Rated voltage: 100V~277V AC 50/60Hz
Ambient temperature: -40℃ to +40℃/+55℃

电缆引入装置: 1. 吊杆灯(标配) 2. 支架灯(标配) 3. 平台灯 90° 4. 平台灯 25° 5. 墙壁灯(标配) 6. 马路灯
电缆入口: **A** 吊杆灯(标配) 1 × G3/4", 电缆外径: $\varnothing 11-15\text{mm}$
B 支架灯(标配) 塑料 1 × M25 × 1.5, 电缆外径: $\varnothing 8-17\text{mm}$ 塑料 1 × M25 × 1.5 空塞堵头
C 平台灯 90°
D 平台灯 25° (标配)
F 马路灯 塑料 1 × M25 × 1.5, 电缆外径: $\varnothing 8-17\text{mm}$
E 墙壁灯(标配) 塑料 1 × M25 × 1.5, 电缆外径: $\varnothing 8-17\text{mm}$ 塑料 3 × M25 × 1.5 空塞堵头

电缆引入装置: 1. 吊杆灯(标配) 2. 支架灯(标配) 3. 平台灯 90° 4. 平台灯 25° 5. 墙壁灯(标配) 6. 马路灯
Cable entry: **A** Pendant pole type lamp (Standard configuration) 1 × G3/4", Outside diameter: $\varnothing 11-15\text{mm}$
B Bracket type lamp (Standard configuration) Moulded plastic 1 × M25 × 1.5, Outside diameter: $\varnothing 8-17\text{mm}$ Moulded plastic 1 × M25 × 1.5 stopping plug
C Platform type lamp 90°
D Platform type lamp 25° (Standard configuration)
F Street lamp Moulded plastic 1 × M25 × 1.5, Outside diameter: $\varnothing 8-17\text{mm}$
E Wall type lamp (Standard configuration) Moulded plastic 1 × M25 × 1.5, Outside diameter: $\varnothing 8-17\text{mm}$ Moulded plastic 3 × M25 × 1.5 stopping plugs

订购须知: 1. 订货时请注明附件, 以便我们为您配齐。 2. 附件清单见第 189 页。
Ordering instructions: 1. Please specify the accessories when ordering, so that we can provide you with a complete set. 2. See page 189 for the list of accessories.

安装高度 Height	重量 Weight	订购号 Order No.
5m	10.8kg	M0870/105 □-LED90W-B+□
5m	11kg	M0870/105 □-LED120W-B+□
5m	11.2kg	M0870/105 □-LED160W-B+□
8m	10.8kg	M0870/108 □-LED90W-B+□
8m	11kg	M0870/108 □-LED120W-B+□
8m	11.2kg	M0870/108 □-LED160W-B+□
12m	10.8kg	M0870/112 □-LED90W-B+□
12m	11kg	M0870/112 □-LED120W-B+□
12m	11.2kg	M0870/112 □-LED160W-B+□

安装方式 of the light fittings ◀

Pendant pole type lamp

Bracket type lamp

Platform type lamp 90°

Platform type lamp 25°

Wall type lamp

Street lamp

189 页。 Code of cable gland see page 189 ◀

附件详见第 189 页。 ◀

Accessories (No matching not noted) see page 189

功率 Power	光照角度 Angel of luminous	适用 Application
90W	120°	6m
120W	120°	6m
160W	120°	6m
90W	60°	6m
120W	60°	6m
160W	60°	6m
90W	40°	8m
120W	40°	8m
160W	40°	8m

灯具安装形式 The mounting		
A	吊杆灯	A
B	支架灯	B
C	平台灯 90°	C
D	平台灯 25°	D
E	墙壁灯	E
F	马路灯	F

电缆引入装置编码详见第 189 页。
Cable gland code see page 189.

安装附件订购号 (不配不 Order No. of mounting ac

● 电缆密封套 输入编码 Code of cable gland

	B 支架灯电缆密封套编码 E 墙壁灯电缆密封套编码	B —Code of cable gland for bracket type lamp E —Code of cable gland for wall type lamp	
13	塑制 1 个 M25 × 1.5 电缆密封套, 塑制 3 个 M25 × 1.5 空塞堵头 One moulded plastic M25 × 1.5 cable gland, three moulded plastic M25 × 1.5 stopping plugs.		∅8-17mm
22	塑制 2 个 M25 × 1.5 电缆密封套, 塑制 2 个 M25 × 1.5 空塞堵头 Two moulded plastic M25 × 1.5 cable glands, two moulded plastic M25 × 1.5 stopping plugs.		∅8-17mm
31	塑制 3 个 M25 × 1.5 电缆密封套, 塑制 1 个 M25 × 1.5 空塞堵头 Three moulded plastic M25 × 1.5 cable glands, one moulded plastic M25 × 1.5 stopping plug.		∅8-17mm
40	塑制 4 个 M25 × 1.5 电缆密封套 Four moulded plastic M25 × 1.5 cable glands		∅8-17mm
04	塑制 4 个 M25 × 1.5 空塞堵头 Four moulded plastic M25 × 1.5 stopping plugs		

注: 如配金属电缆密封套, 在编码后注明。 Note: If matched with metal cable gland, note after code.

注: **A**—吊杆灯入口螺纹为 G3/4" 已标配, 不需再标注; **C**、**D**、**F**—平台灯、马路灯电缆密封套已标配, 不需再标注。
 Note: **A**—Cable entry thread G3/4" for pendant pole type lamp is equipped, no need to be mentioned.
C、**D**、**F**—Cable gland for platform type lamp, street lamp is equipped, no need to be mentioned

● 安装附件 Mounting accessories:

图样 Illustration	描述 Descriptions	单位 Unit	订购号 Order No.
吸顶支架 Ceiling bracket	支架灯附件, 用于 M0870 LED Accessories for bracket type lamp, for M0870 LED	套 Set	D8722/3
安装支架 Mounting bracket	支架灯附件, 用于 M0870 LED Accessories for bracket type lamp, for M0870 LED	套 Set	D8719/2
G3/4"-300mm 直管 Straight pipe	支架灯附件, 材料为镀锌钢管, 表面喷塑 Accessories for bracket type, galvanized steel pipe material and powder coated surface	套 Set	D732
吊链(500mm) Chain type accessories	支架灯附件, M8 螺钉, 材料为钢制表面镀锌处理 Accessories for bracket type lamp, M8 bolt, made from steel with zinc-coated surface	套 Set	D623
护栏式灯杆 Lamp pole of fence type	平台灯附件, G1 1/2 镀锌钢管表面喷塑 Accessories for platform type lamp, G1 1/2 galvanized steel pipe material and powder coated surface	套 Set	D8725
法兰式灯杆 Lamp pole of flange type	平台灯附件, G1 1/2 镀锌钢管表面喷塑 Accessories for platform type lamp, G1 1/2 galvanized steel pipe material and powder coated surface	套 Set	D8726

● 马路灯安装附件: Accessories for street lamp

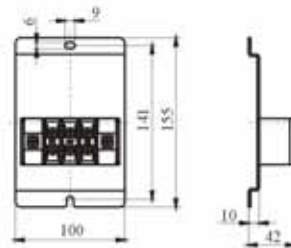
马路灯灯杆订购规格 Order specification of the lamp pole of street light:

	描述 Descriptions	编码 Order No.
单臂灯杆 Lamp pole of single arm		AH □+□
双臂等长灯杆 Lamp pole of double arms with equal length		BH □+□
双臂不等长灯杆 Lamp pole of double arms with non-equal length		CH □+□
灯杆高度 The height of lamp pole	6m 8m 10m 12m 15m	
	M0930 接线模板订购编码 The order No. of wiring template	

● M0930 接线模板订购规格 Order specification of wiring template:

图样 Illustration	描述 Descriptions	编码 Order No.
	单灯，配一个熔断器 Single lamp equipped with one fuse	01
	双灯，配二个熔断器 Double lamps equipped with two fuses	02

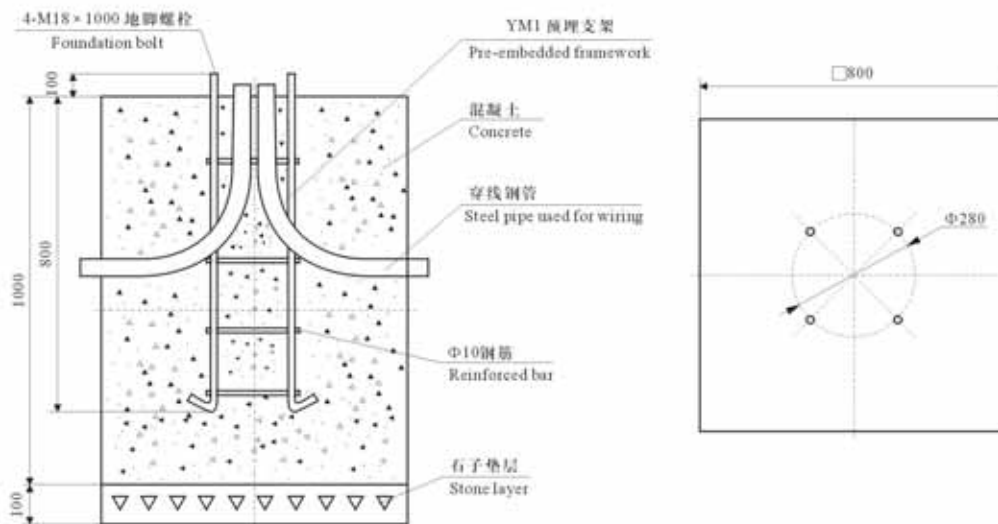
● M0930 接线模板外形尺寸 The outline dimension of the wiring template:



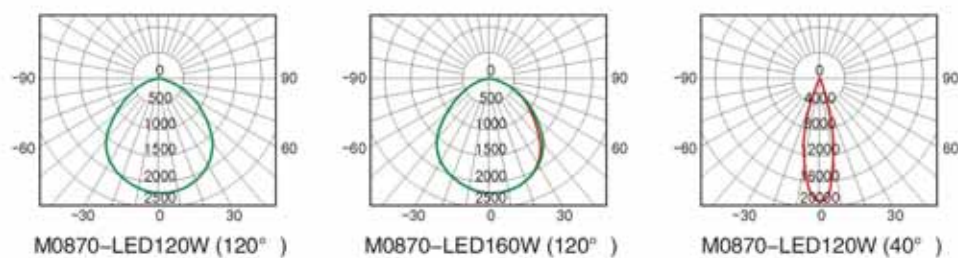
● 基础示意图 Base diagram:

此基础图用于灯杆高度10米以下的路灯基础。

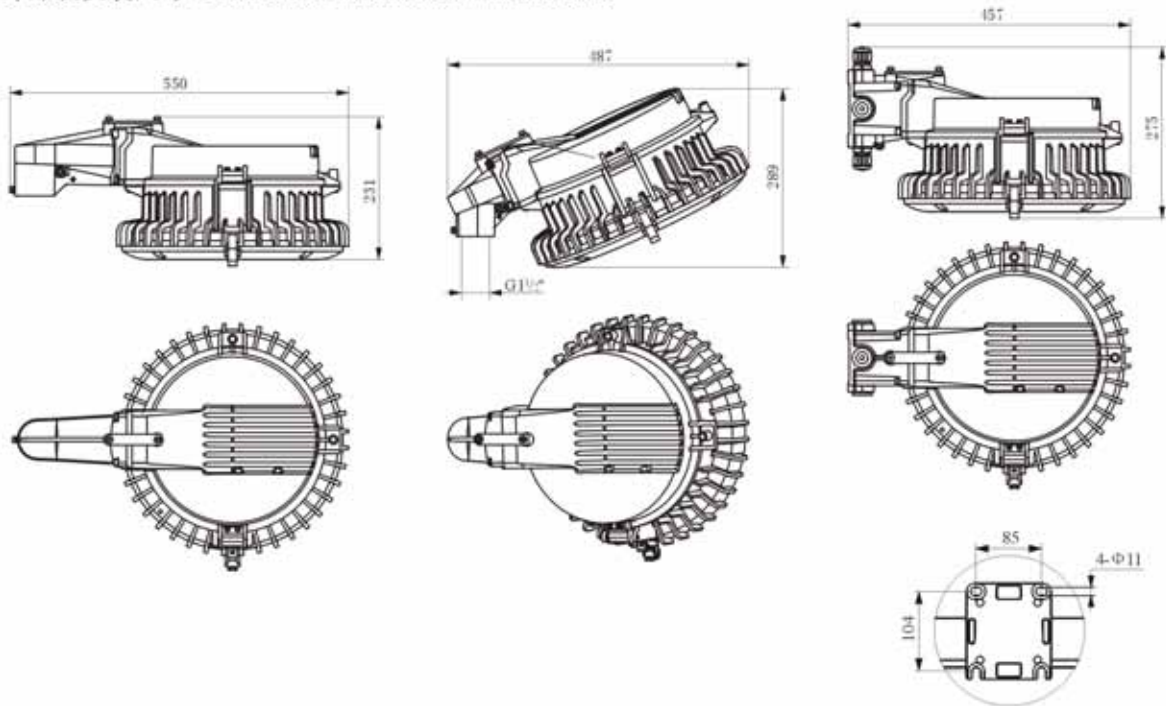
This base diagram is used for the lamp hole with height less than 10 meters.



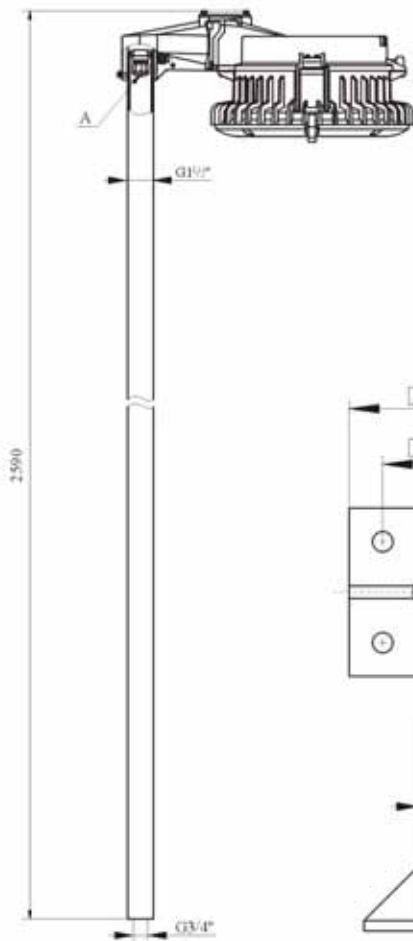
● 配光曲线 Luminous intensity distribution curve: 光强单位 Luminous intensity unit: cd



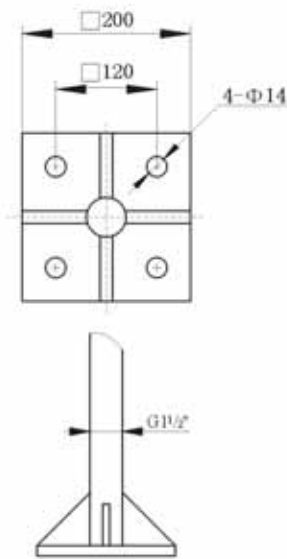
• 外形及安装尺寸 Outline and installation dimensions:



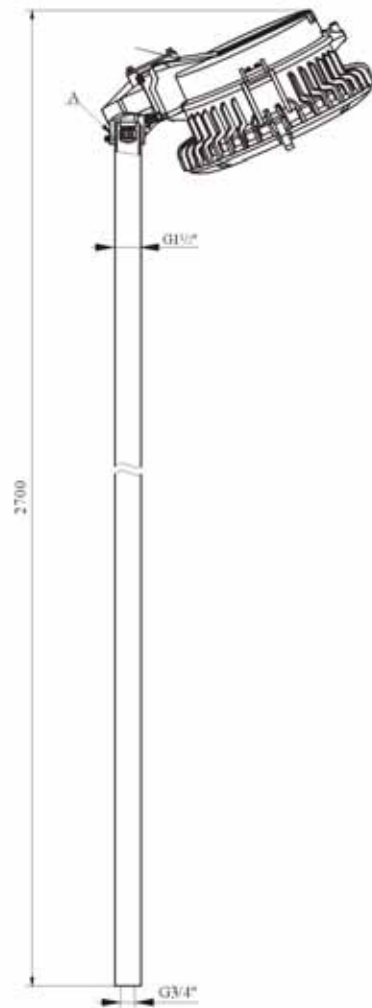
A 处表示内装M25塑料电缆密封套
A represents a built-in moulded plastic M25 cable gland.



C — 灯头安装90° 护栏式安装
C — Lamp cap mounted in the angle of 90° Fence type

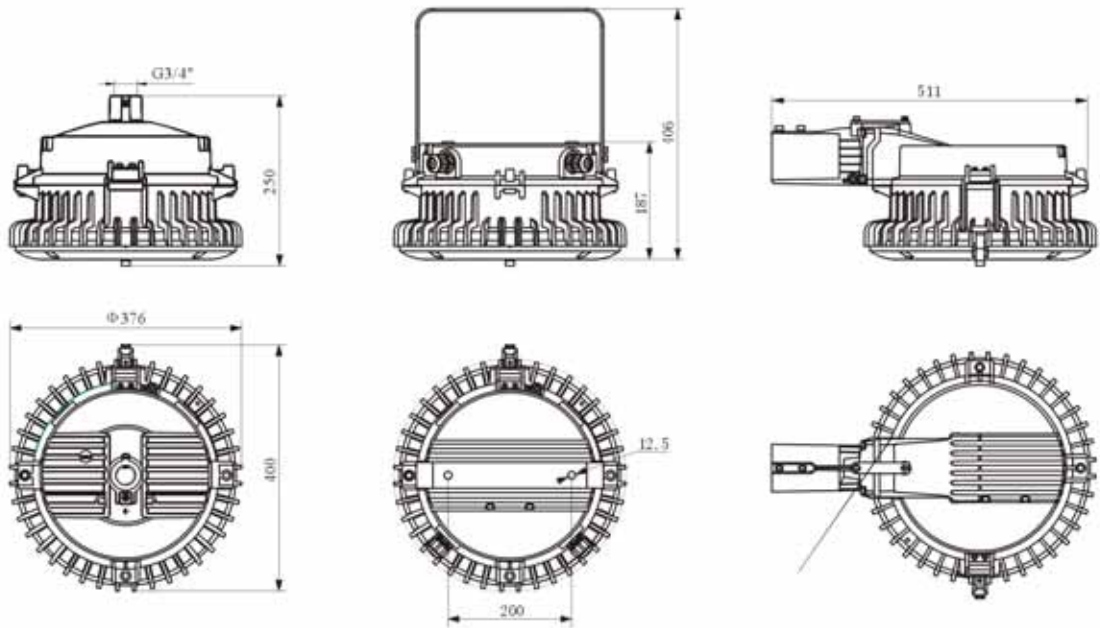


法兰式安装
Flange type

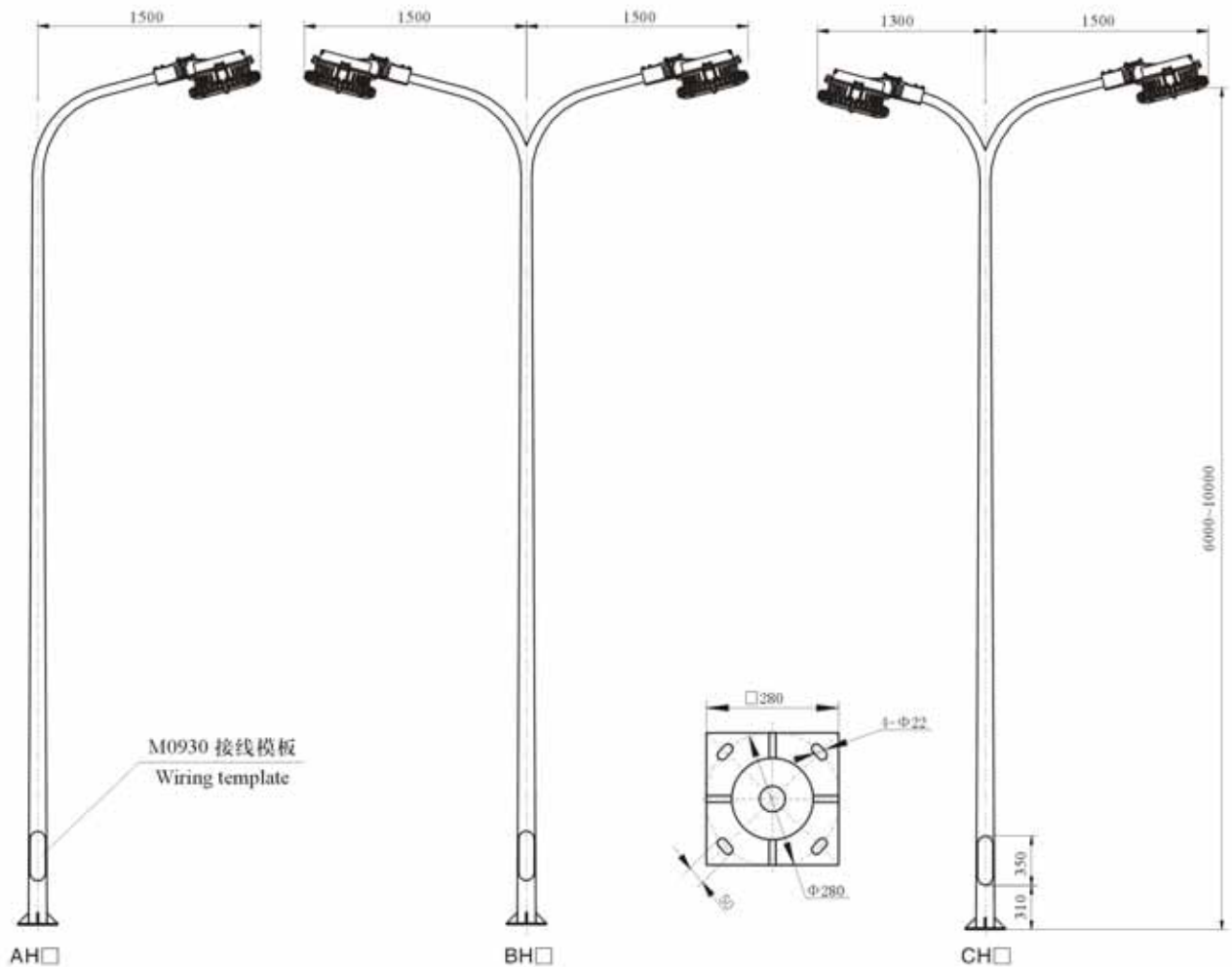


D — 灯头安装25° 护栏式安装
D — Lamp cap mounted in the angle of 25° Fence type

• 外形及安装尺寸 Outline and installation dimensions:



• 安装形式和外形尺寸 Mounting ways and outline dimensions:



• 基础示意图详见第 190 页 Base diagram see page 190.