



### 描述

三防照明灯外壳由铝合金压铸成型，表面喷涂纯环氧树脂粉末，抗腐蚀性能好。透明罩采用高抗冲击、高透光率、抗紫外线的聚碳酸酯注塑成型。外露紧固件采用不锈钢材料。三防照明灯接线盒从侧面进线，适用于橡套和铠装电缆布线，内部接线端子选用笼式端子，便于接线。三防照明灯具内部独特的隔热设计与外部高密度的散热片相结合散热效果更佳。三防照明灯内装有LED光源和稳压电源，能满足石油、化工、医药、军工、食品、电厂等企业的照明之用。

三防照明灯可分为支架灯、平台灯和墙壁灯。

三防照明灯安装形式可分为吸顶式、吸壁式、吊链式。

三防照明平台灯C-90° 安装形式可分为平台护栏式、平台法兰式两种。

三防照明平台灯D-25° 安装形式可分为平台护栏式、平台法兰式两种。

- 防护等级高达IP66
- 安装维护方便

### Descriptions:

The enclosures of weather-proof illumination light fittings are made of die-cast aluminum alloy, with epoxy resin powder sprayed on their surfaces, so that they have good anti-corrosion performance. The transparent shield is injected by the polycarbonate which has the characters such as high impact-resistance, light transmittance and anti-UV performance. The exposed fasteners are made of stainless steel. Weather-proof illumination light fitting's terminal box side entry, is suitable for rubber-coated and the armored cable wiring. The cage type terminals are selected as the internal terminals, which are convenient for wiring. The unique heat insulation design united with the exterior high density' radiator in the weather-proof illumination light fittings to cause the radiation effect will be better. The LED light source and stabilized voltage supply is supplied inside. It can satisfy the related requirements of illumination in petroleum, petrochemical, medical, military, food and power supply industries.

Weather-proof light fittings can be sorted as: bracket lamp, platform lamp and wall lamp.

The mounting ways of the weather-proof illumination light fittings are ceiling type, bracket type and chain type.

The mounting ways of the weather-proof platform light fittings C-90° are fence type and platform flange type.

The mounting ways of the weather-proof platform light fittings D-25° are fence type and platform flange type.

- The degree of protection is up to IP 66.
- It is convenient to be mounted and maintained.

• 产品特点 Product characteristics:



支架安装，多个角度可调节  
Bracket installation, multiple angle adjustment



吸顶式安装  
Installation of ceiling type



墙壁灯安装  
Installation of wall type lamp



三防平台灯头安装D-25°  
The mounting ways of the weather-proof platform light fittings D-25°



三防平台灯头安装C-90°  
The mounting ways of the weather-proof platform light fittings C-90°

• 多种电缆引入装置 Many kinds of cable gland:

CZ0226增安型电缆密封套(填料函)  
CZ0226 Increased safety cable glands (stopping boxes)

M0223塑料空塞堵头  
M0223 Moulded plastic stopping plugs



M0220 塑料电缆密封套  
M0220 Moulded plastic cable glands

CZ0227金属电缆密封套  
CZ0227 Metal cable glands





**● 电缆密封套引入编码 Code of cable gland**

<b>B—支架灯电缆密封套编码 B—Code of cable gland for bracket type lamp</b>		
编码 Code	规格 Specification	电缆直径 Cable diameter
B	塑制 1 个 M25 × 1.5 电缆密封套, 塑制 1 个 M25 × 1.5 空塞堵头 One moulded plastic M25 × 1.5 cable gland, one moulded plastic M25 × 1.5 stopping plug	Φ8-17mm
C	铜制 1 个 CZ0221/M25 × 1.5 金属电缆密封套, 塑制 1 个 M25 × 1.5 空塞堵头 One brass CZ0221/M25 × 1.5 metal cable gland, one moulded plastic M25 × 1.5 stopping plug	Φ8-17mm
D	塑制 2 个 M25 × 1.5 电缆密封套 Two moulded plastic M25 × 1.5 cable glands	Φ8-17mm
E	铜制 2 个 CZ0221/M25 × 1.5 金属电缆密封套 Two brass CZ0221/M25 × 1.5 metal cable glands	Φ8-17mm
F	铜制 1 个 CZ0227/M25 × 1.5-G <sup>3/4</sup> 增安型金属电缆密封套, 塑制 1 个 M25 × 1.5 空塞堵头 One brass CZ0227/M25 × 1.5-G <sup>3/4</sup> increase safety metal cable gland, one moulded plastic M25 × 1.5 stopping plug	Φ11-15mm
G	铜制 2 个 CZ0227/M25 × 1.5-G <sup>3/4</sup> 增安型金属电缆密封套 Two brass CZ0227/M25 × 1.5-G <sup>3/4</sup> increase safety metal cable glands	Φ11-15mm
H	铜制 1 个 CZ0226/M25 × 1.5-(G02) 增安型金属电缆密封套(填料函), 塑制 1 个 M25 × 1.5 空塞堵头 One brass CZ0226/M25 × 1.5-(G02) increase safety metal cable gland (stopping boxes), one moulded plastic M25 × 1.5 stopping plug	Φ11.5-16mm
I	铜制 2 个 CZ0226/M25 × 1.5-(G02) 增安型金属电缆密封套(填料函) Two brass CZ0226/M25 × 1.5-G02 increase safety metal cable glands (stopping boxes)	Φ11.5-16mm
<b>E—墙壁灯电缆密封套编码 E—Code of cable gland for wall typelamp</b>		
13	塑制 1 个 M25 × 1.5 电缆密封套, 塑制 3 个 M25 × 1.5 空塞堵头 One moulded plastic M25 × 1.5 cable gland, three moulded plastic M25 × 1.5 stopping plugs.	Φ8-17mm
22	塑制 2 个 M25 × 1.5 电缆密封套, 塑制 2 个 M25 × 1.5 空塞堵头 Two moulded plastic M25 × 1.5 cable glands, two moulded plastic M25 × 1.5 stopping plugs.	Φ8-17mm
31	塑制 3 个 M25 × 1.5 电缆密封套, 塑制 1 个 M25 × 1.5 空塞堵头 Three moulded plastic M25 × 1.5 cable glands, one moulded plastic M25 × 1.5 stopping plug.	Φ8-17mm
40	塑制 4 个 M25 × 1.5 电缆密封套 Four moulded plastic M25 × 1.5 cable glands	Φ8-17mm
04	塑制 4 个 M25 × 1.5 空塞堵头 Four moulded plastic M25 × 1.5 stopping plugs.	

注: 如配金属电缆密封套, 在编码后注明。 Note: If matched with metal cable gland, note after code.

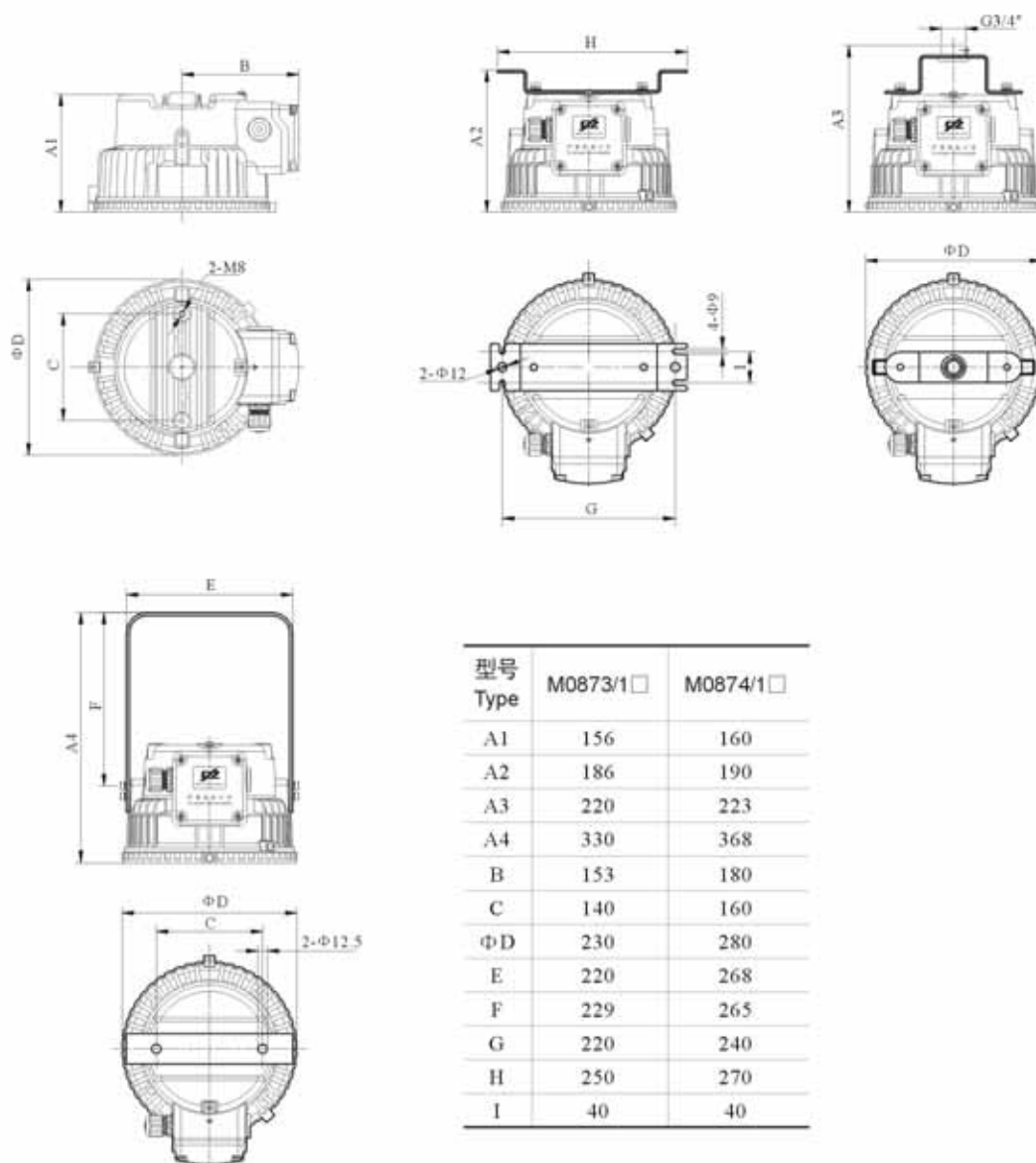
注: C、D—平台灯电缆密封套已标配, 不需再标注。

Note: Cable gland for platform type lamp C, D is equipped, no need to be mentioned.

**● 安装附件 Mounting accessories:**

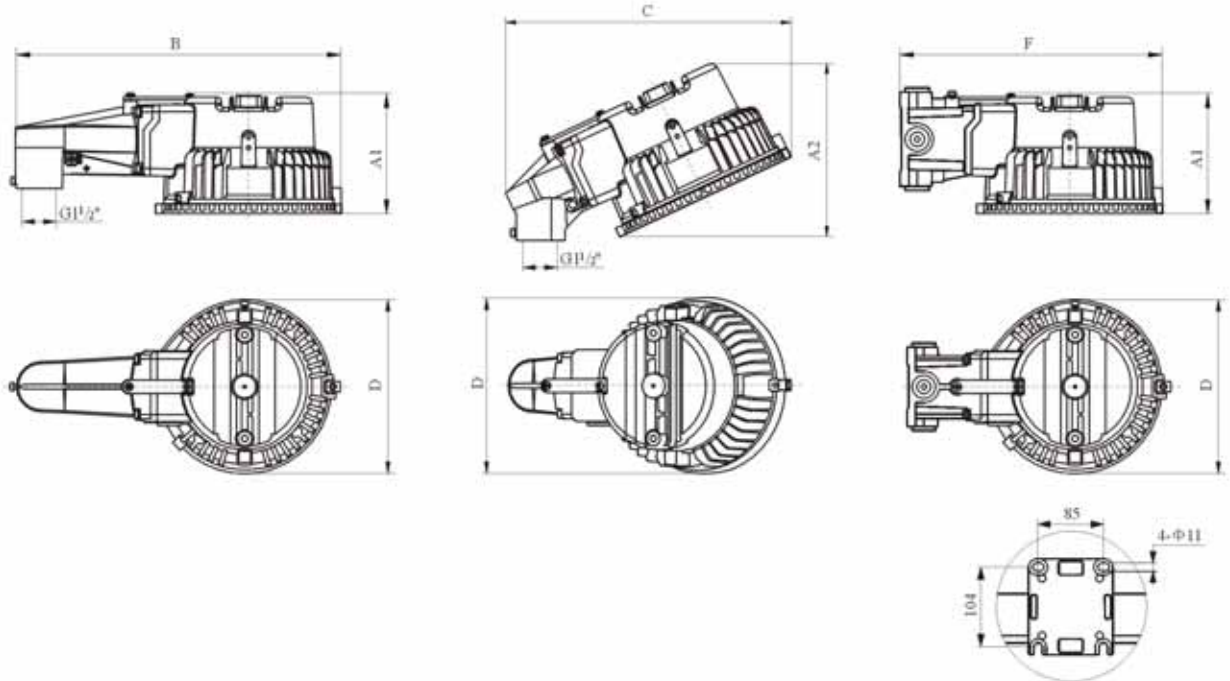
图样 Illustration	描述 Descriptions	单位 Unit	订购号 Order No.
吸顶支架 Ceiling bracket 	支架灯附件, 用于M0873/1 Accessories for bracket type lamp, for M0873/1	套 Set	<b>D8722/1</b>
	支架灯附件, 用于M0874/1 Accessories for bracket type lamp, for M0874/1	套 Set	<b>D8722/2</b>
安装支架 Mounting bracket 	支架灯附件, 用于M0873/1 Accessories for bracket type lamp, for M0873/1	套 Set	<b>D8701/1</b>
	支架灯附件, 用于M0874/1 Accessories for bracket type lamp, for M0874/1	套 Set	<b>D8701/2</b>
吊式安装支架 Mounting bracket of pendant type 	支架灯附件, 用于M0873/1 Accessories for bracket type lamp, for M0873/1	套 Set	<b>D8702/1</b>
	支架灯附件, 用于M0874/1 Accessories for bracket type lamp, for M0874/1	套 Set	<b>D8702/2</b>
G3/4"-300mm直管 Straight pipe 	支架灯附件, 材料为镀锌钢管, 表面喷塑 Accessories for bracket type, galvanized steel pipe material and powder coated surface	套 Set	<b>D732</b>
吊链(500mm) Chain type accessories 	支架灯附件, M8螺钉, 材料为钢制表面镀锌处理 Accessories for bracket type lamp, M8 bolt, made from steel with zinc-coated surface	套 Set	<b>D623</b>
护栏式灯杆 Lamp pole of fence type 	平台灯附件, G1 1/2"镀锌钢管表面喷塑。 Accessories for platform type lamp, G1 1/2" galvanized steel pipe material and powder coated surface	套 Set	<b>D8725</b>
法兰式灯杆 Lamp pole of flange type 	平台灯附件, G1 1/2"镀锌钢管表面喷塑。 Accessories for platform type lamp, G1 1/2" galvanized steel pipe material and powder coated surface	套 Set	<b>D8726</b>

• 外形及安装尺寸 Outline and installation dimensions:

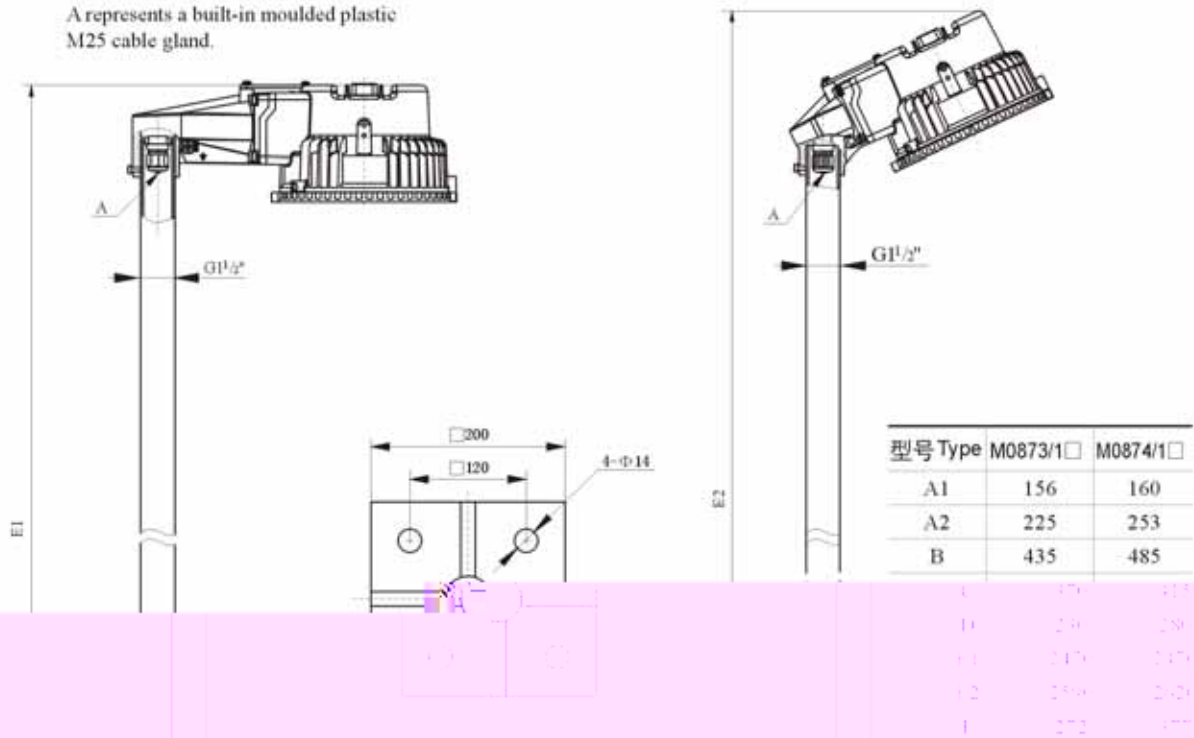


型号 Type	M0873/1□	M0874/1□
A1	156	160
A2	186	190
A3	220	223
A4	330	368
B	153	180
C	140	160
ΦD	230	280
E	220	268
F	229	265
G	220	240
H	250	270
I	40	40

● 外形及安装尺寸 Outline and installation dimensions:



A处表示内装M25塑料电缆密封套  
A represents a built-in moulded plastic M25 cable gland.



C 90° 仰角安装 (90° 仰角安装)  
C Lamp cap mounted in the angle of 90° (Tilt type)

式仰角安装  
Tilt type

D 25° 仰角安装 (25° 仰角安装)  
D Lamp cap mounted in the angle of 25° (Tilt type)





M085A LED三防应急电源  
M085A LED Weather-proof emergency power supply



M0873/1 LED三防照明灯  
M0873/1 LED Weather-proof light fittings

### 描述

LED三防应急电源是配合LED三防灯使用，组成LED三防应急灯。

LED三防应急电源外壳由铝合金压铸成型，表面喷涂纯环氧树脂粉末，抗腐蚀性能好。应急电源内装逆变器和高温镍隔电池，与照明灯分体设计，确保使用寿命。LED三防应急电源具有开路(不负载)断电功能，确保安装维护时的人身安全。

LED三防应急灯能满足石油、化工、医药、军工、食品、电厂等企业的应急照明之用。

LED三防应急灯可分为支架灯、平台灯和墙壁灯。

LED三防应急支架灯安装形式可分为吸顶式、吸壁式、吊链式。

LED三防应急平台灯C-90° 安装形式可分为平台护栏式、平台法兰式两种。

LED三防应急平台灯D-25° 安装形式可分为平台护栏式、平台法兰式两种。

- 具有良好的电磁兼容性，不会对系统电网造成干扰
- 电压波动无影响，可工作在100 ~ 240V AC宽电压范围内
- LED属于固态光源，抗震性能佳
- 防护等级高达IP66

### Descriptions:

The weather-proof LED emergency power supply is used with weather-proof LED emergency light fittings.

The enclosure of weather-proof LED emergency light fittings are manufactured in die-cast aluminum alloy with epoxy resin power sprayed on the surface, so that they have good anti-corrosion performance. For ensure the light fittings using life, the emergency power supply Built-in inverter and high temperature nickel battery, design separate lightings. Weather-proof LED emergency light fittings have the function of open circuit (no load) for ensure the personal safety when installation and maintenance.

The weather-proof LED emergency light fittings can satisfy the requirements in Petroleum, chemical industry, medicine, war industry, food, power plants and other enterprises.

LED Weather-proof emergency light fittings can be sorted as: bracket lamp, platform lamp and wall lamp.

LED Weather-proof emergency bracket type lamps can be sorted as: ceiling type, wall sunction type and chain type.

The mounting ways of the LED weather-proof emergency platform light fittings C-90° are fence type and platform flange type.

The mounting ways of the LED weather-proof emergency platform light fittings D-25° are fence type and platform flange type.

- There is a feature of good electromagnetic compatibility and it does not cause interference to the system power grid.
- It is not influenced by the voltage fluctuations and can be operated in the wide voltage range of 100 ~ 240V AC.
- There is a good performance of vibration due to the LED is the solid-state light source.
- The degree of protection is up to IP 66.

• 主要数据 Main technical data

额定功率 LED  
 额定电压 18V  
 额定电流 1.67A  
 额定功率因数 0.95  
 额定寿命 50000h  
 额定功率因数 0.95  
 额定电压 18V  
 额定电流 1.67A  
 额定功率因数 0.95  
 额定寿命 50000h

Rated power LED  
 Rated voltage 18V  
 Rated current 1.67A  
 Rated power factor 0.95  
 Rated life 50000h  
 Rated power factor 0.95  
 Rated voltage 18V  
 Rated current 1.67A  
 Rated power factor 0.95  
 Rated life 50000h

• 订货规格 Order specifications

型号 Type No.	功率/额定功率 Power/Rated power	电压/额定电压 Voltage/Rated voltage	订货号 Order No.
M085A-LED30W	30W	18V	M085A-LED30W

• 应急灯具安装线路图 Mounting circuit diagram for emergency light fittings



• 外形尺寸 Outline dimensions

