



描述

三防泛光灯外壳由铝合金压铸成型，表面喷涂纯环氧树脂粉末，抗腐蚀性能好。透明罩采用硼硅酸盐钢化玻璃，外露紧固件采用不锈钢材料。内装高纯铝镜面反射器，照明范围大、亮度高。三防灯的接线盒从下面进线，适用于橡胶和铠装电缆布线，内部接线端子选用笼式端子，便于接线。三防泛光灯内装金属卤化物灯、高压钠灯、电磁感应节能灯及镇流器、触发器等电器。能满足石油、化工、医药、军工、食品、电厂等企业的照明之用。

三防灯可分为泛光灯和马路灯。

- 防护等级高达IP66
- 金属卤化物灯和高压钠灯灯泡设有防震保护，可从侧面更换灯泡，操作方便。
- 安装支架设有刻度盘
- 安装维护方便

Descriptions:

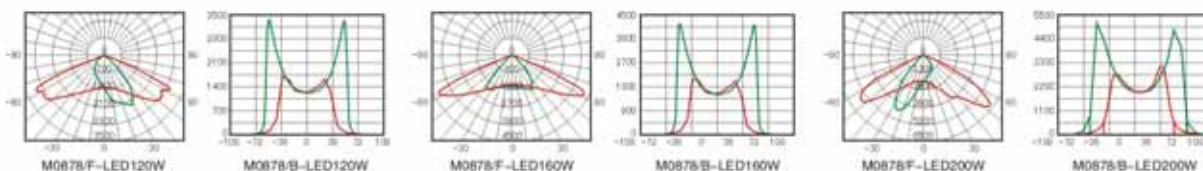
The enclosures of weather-proof floodlight light fittings are made of die-cast aluminum alloy, with epoxy resin powder sprayed on their surfaces, so that they have good anti-corrosion performance. The transparent shield is made by the toughened glass of borosilicate, and the exposed fasteners are made of stainless steel. The high-purity aluminum reflector with broad illuminated area and high-brightness is mounted in. Weather-proof, floodlight light fitting's terminal box down entry, is suitable for rubber-coated and the armored cable wiring. The cage type terminals are selected as the internal terminals, which are convenient for wiring. The electric appliances such as metal halide lamp, high pressure sodium vapor lamp, electromagnetic induction energy saving lamp, ballast and trigger can be mounted inside. It can satisfy the related requirements of illumination in petroleum, petrochemical, medical, military, food and power supply industries.

Weather-proof light fittings can be sorted as: floodlight lamp and street lamp

- The degree of protection is up to IP 66.
- The bulbs of metal halide lamp and high pressure sodium vapor lamp have the function of shock protection. It is convenient to change the bulb only by operating from the side.
- There is a scale panel on the mounting bracket.
- It is convenient to be mounted and maintained.

- 配光曲线 Luminous intensity distribution curve: 光强单位 luminous intensity unit: cd

— C0/180
— C90/270



主要数据 Main technical data:

防腐标志: WF1

防护等级: IP66

额定电压: 200-240V AC 50/60Hz

 使用环境温度: $-40^{\circ}\text{C} < \text{Ta} < 50^{\circ}\text{C}$

 接线端子: L1, N: $2 \times 2.5\text{mm}^2$, PE 端子 $2 \times 10\text{mm}^2$

 电缆入口: 塑制 $1 \times \text{M}20 \times 1.5$, 电缆外径: $\Phi 5.5\text{-}13\text{mm}$

Corrosion-proof mark: WF1

Degree of protection: IP66

Rated voltage: 200-240V AC 50/60Hz

 Ambient temperature: $-40^{\circ}\text{C} < \text{Ta} < 50^{\circ}\text{C}$

 Terminal: L1, N cage type terminal $2 \times 2.5\text{mm}^2$,

 PE terminal: $2 \times 10\text{mm}^2$

 Cable entry: Moulded plastic $1 \times \text{M}20 \times 1.5$,

 Outside diameter: $\Phi 5.5\text{-}13\text{mm}$
订购规格 Order specifications:

 B—泛光灯 B—Floodlight lamp	光源代号 Light source code	功率 Power	重量 Weight	订购号 Order No.
		LED 灯 LED Lamp	120W	15kg
	LED 灯 LED Lamp	160W	15kg	M0878/□-LED160W+□
	LED 灯 LED Lamp	200W	15kg	M0878/□-LED200W+□

灯具安装形式 The mounting ways of the light fittings ←
 B—泛光灯 B—Floodlight lamp
 F—马路灯 F—Street lamp

电缆引入装置编码 Code of cable gland ←

电缆引入装置编码 Code of cable gland

编码 Code	规格 Specification	电缆直径 Cable diameter
B	塑制 1 个 $\text{M}25 \times 1.5$ 电缆密封套, 塑制 1 个 $\text{M}25 \times 1.5$ 空塞堵头 One moulded plastic $\text{M}25 \times 1.5$ cable gland, one moulded plastic $\text{M}25 \times 1.5$ stopping plug	$\Phi 8\text{-}17\text{mm}$
C	铜制 1 个 $\text{CZ}0221/\text{M}25 \times 1.5$ 金属电缆密封套, 塑制 1 个 $\text{M}25 \times 1.5$ 空塞堵头 One brass $\text{CZ}0221/\text{M}25 \times 1.5$ metal cable gland, one moulded plastic $\text{M}25 \times 1.5$ stopping plug	$\Phi 8\text{-}17\text{mm}$
D	塑制 2 个 $\text{M}25 \times 1.5$ 电缆密封套 Two moulded plastic $\text{M}25 \times 1.5$ cable glands	$\Phi 8\text{-}17\text{mm}$
E	铜制 2 个 $\text{CZ}0221/\text{M}25 \times 1.5$ 金属电缆密封套 Two brass $\text{CZ}0221/\text{M}25 \times 1.5$ metal cable glands	$\Phi 8\text{-}17\text{mm}$
F	铜制 1 个 $\text{CZ}0227/\text{M}25 \times 1.5\text{-G}^{3/4}$ 增安型金属电缆密封套, 塑制 1 个 $\text{M}25 \times 1.5$ 空塞堵头 One brass $\text{CZ}0227/\text{M}25 \times 1.5\text{-G}^{3/4}$ increasd safety metal cable gland, one moulded plastic $\text{M}25 \times 1.5$ stopping plug	$\Phi 11\text{-}15\text{mm}$
G	铜制 2 个 $\text{CZ}0227/\text{M}25 \times 1.5\text{-G}^{3/4}$ 增安型金属电缆密封套 Two brass $\text{CZ}0227/\text{M}25 \times 1.5\text{-G}^{3/4}$ increasd safety metal cable glands	$\Phi 11\text{-}15\text{mm}$
H	铜制 1 个 $\text{CZ}0226/\text{M}25 \times 1.5\text{-G}02$ 增安型金属电缆密封套(填料函), 塑制 1 个 $\text{M}25 \times 1.5$ 空塞堵头 one moulded plastic $\text{M}25 \times 1.5$ stopping plug	$\Phi 11.5\text{-}16\text{mm}$
I	铜制 2 个 $\text{CZ}0226/\text{M}25 \times 1.5\text{-G}02$ 增安型金属电缆密封套(填料函) Two brass $\text{CZ}0226/\text{M}25 \times 1.5\text{-G}02$ increasd safety metal cable glands (stopping boxes)	$\Phi 11.5\text{-}16\text{mm}$

注: 马路灯安装附件详见第 199 页。

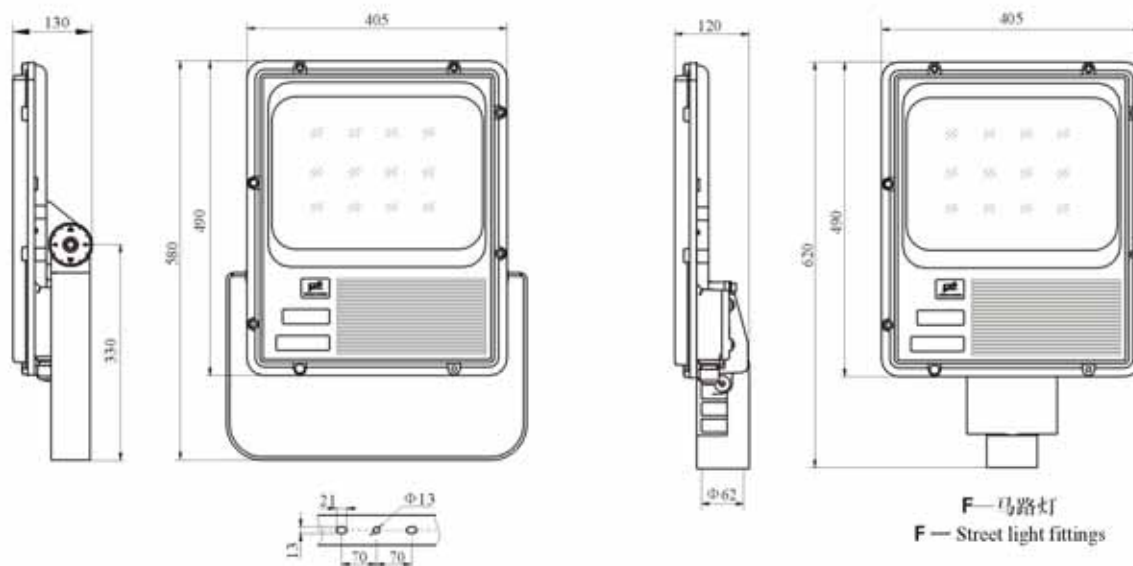
Note: Mounting accessories of street lamp see page 199.

三防马路灯灯杆订购规格 The order specification of the lamp of weather-proof street light:

图样 Illustration	描述 Descriptions	编码 Order No.
	单臂灯杆 Lamp pole of single arm	AH□+□
	双臂等长灯杆 Lamp pole of double arms with equal length	BH□+□
	双臂不等长灯杆 Lamp pole of double arms with non-equal length	CH□+□
	灯杆高度 The height of lamp pole 6m 8m 10m 12m 15m	
	M0930 接线模板订购编码 The order No. of wiring template	

M0930 接线模板订购规格 Order specification of wiring template:

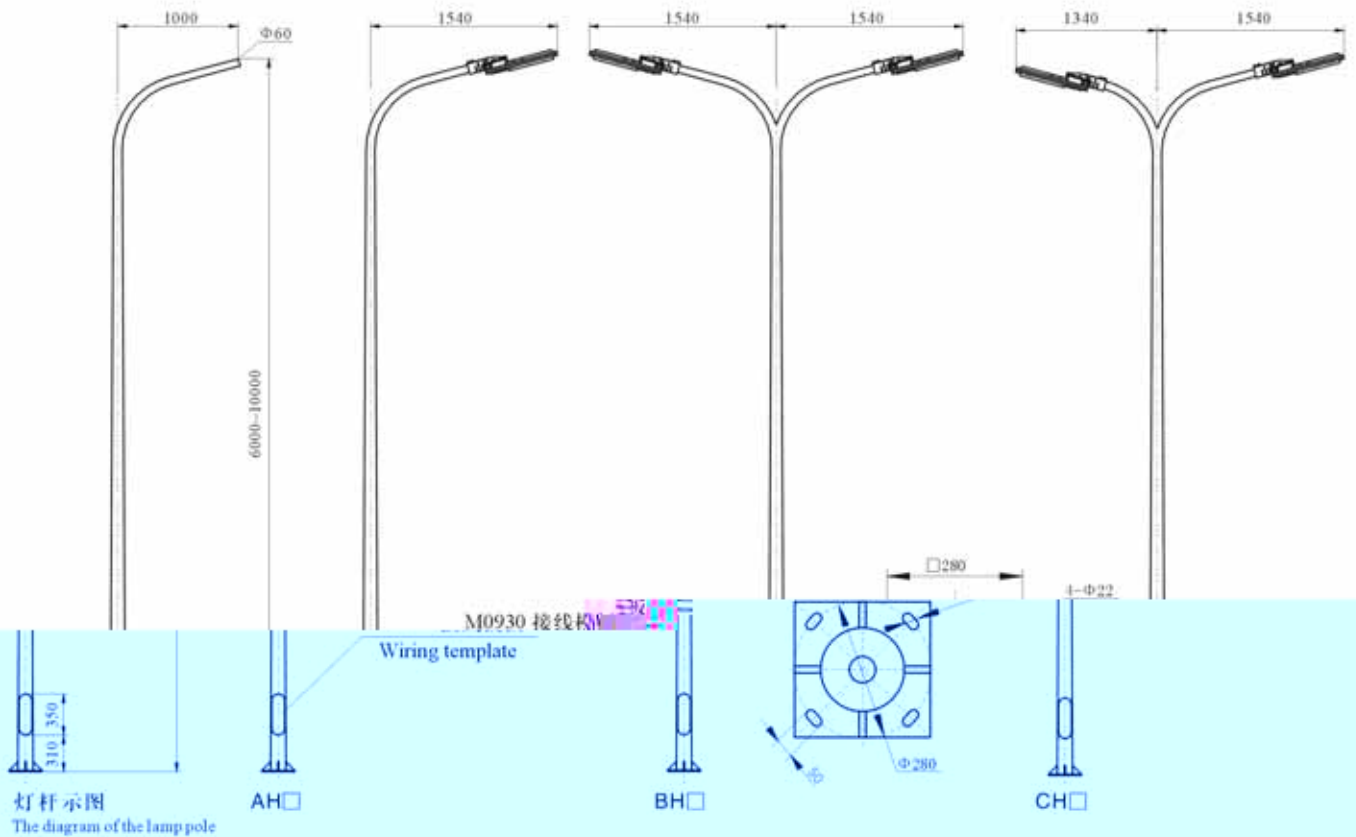
图样 Illustration	描述 Descriptions	编码 Order No.
	单灯, 配一个熔断器 Single lamp equipped with one fuse	01
	双灯, 配二个熔断器 Double lamps equipped with two fuses	02

外形及安装尺寸 Outline and installation dimensions:


B—泛光灯
B—Floodlight light fittings

F—马路灯
F—Street light fittings

● 安装形式和外形尺寸 Mounting ways and outline dimensions:



● 基础示意图 Base diagram:

此基础图用于灯杆高度10米以下的路灯基础。

This base diagram is used for the lamp hole with height less than 10 meters.

