



### 描述

防爆LED灯外壳由铝合金压铸成型，表面喷涂纯环氧树脂粉末，抗腐蚀性能好。透明罩采用钢化玻璃，外露紧固件采用不锈钢材料。防爆灯具内装Cree LED颗粒，经专业的光学配光设计组成光源模块，设有三种光照角度供选择，灯具散热器结构经专业的热学分析设计及特制铝基板导热结构，确保灯具工作时所产生的热量能很好的散热。能满足石化、化学和海上工业照明的相关要求。

防爆灯可分为吊杆灯、支架灯、平台灯、墙壁灯、马路灯。

防爆平台灯C-90° 安装形式可分为平台护栏式、平台法兰式两种。

防爆平台灯D-25° 安装形式可分为平台护栏式、平台法兰式两种。

- 具有良好的电磁兼容性，不会对系统电网造成干扰
- LED属于固态光源，抗震性能好

2 区  
21 区和 22 区

Zone 2  
Zone 21 and zone 22

● 主要数据 Main technical data:

认证 Certification | 防爆标志 Ex mark | 符合标准 Meet the standard

China (CQST Ex) Ex nR IIC T6/T5 Gc DIP A21 TA,T6/T5 GB3836 GB12476

适用范围: 用于 2 区 用于 21 区和 22 区

防护等级: IP66

额定电压: 100V~277V AC 50/60Hz

使用环境温度: -40℃ to +40℃/+55℃

接线端子: L1, N 笼式端子 2-2.5mm<sup>2</sup>, PE 端子 2 × 10mm<sup>2</sup>

电缆入口: **A**—吊杆灯 (标配):  
1 × G3/4", 电缆外径: Φ11-15mm

**B**—支架灯 (标配):  
塑制 1 × M25 × 1.5, 电缆外径: Φ8-17mm  
塑制 1 × M25 × 1.5 空塞堵头

**C**—平台灯 90°  
**D**—平台灯 25° (标配)

**F**—马路灯  
塑制 1 × M25 × 1.5, 电缆外径: Φ8-17mm

**E**—墙壁灯 (标配):  
塑制 1 × M25 × 1.5, 电缆外径: Φ8-17mm  
塑制 3 × M25 × 1.5 空塞堵头

Intended use: Can be used in zone 2

Can be used in zone 21 and zone 22

Degree of protection: IP66

Rated voltage: 100V~277V AC 50/60Hz

Ambient temperature: -40℃ to +40℃/+55℃

Terminal: L1, N cage type terminal 2-2.5mm<sup>2</sup>, PE terminal: 2 × 10mm<sup>2</sup>

Cable entry: **A**—Pendant pole type lamp (Standard configuration)  
1 × G3/4", Outside diameter: Φ11-15mm

**B**—Bracket type lamp (Standard configuration)  
Moulded plastic 1 × M25 × 1.5, Outside diameter: Φ8-17mm  
Moulded plastic 1 × M25 × 1.5 stopping plug

**C**—Platform type lamp 90°  
**D**—Platform type lamp 25° (Standard configuration)

**F**—Street lamp  
Moulded plastic 1 × M25 × 1.5, Outside diameter: Φ8-17mm

**E**—Wall type lamp (Standard configuration)  
Moulded plastic 1 × M25 × 1.5, Outside diameter: Φ8-17mm  
Moulded plastic 3 × M25 × 1.5 stopping plugs

● 订购规格 Order specifications:

功率 Power	光照角度 Angel of luminous	适合高度 Height	温度组别T* Temperature class*		重量 Weight	订购号 Order No.	
			Ta ≤ 40℃	Ta ≤ 55℃			
 A	90W	120°	≤ 5m	T6	T5	10.8kg	CZ0870n/105□-LED90W-B+□
	120W	120°	≤ 5m	T6	T5	11kg	CZ0870n/105□-LED120W-B+□
	160W	120°	≤ 5m	T6	T5	11.2kg	CZ0870n/105□-LED160W-B+□
 B	90W	60°	6 ~ 8m	T6	T5	10.8kg	CZ0870n/108□-LED90W-B+□
	120W	60°	6 ~ 8m	T6	T5	11kg	CZ0870n/108□-LED120W-B+□
	160W	60°	6 ~ 8m	T6	T5	11.2kg	CZ0870n/108□-LED160W-B+□
 C	90W	40°	8 ~ 12m	T6	T5	10.8kg	CZ0870n/112□-LED90W-B+□
	120W	40°	8 ~ 12m	T6	T5	11kg	CZ0870n/112□-LED120W-B+□
	160W	40°	8 ~ 12m	T6	T5	11.2kg	CZ0870n/112□-LED160W-B+□
 D	90W	40°	8 ~ 12m	T6	T5	10.8kg	CZ0870n/112□-LED90W-B+□
	120W	40°	8 ~ 12m	T6	T5	11kg	CZ0870n/112□-LED120W-B+□
	160W	40°	8 ~ 12m	T6	T5	11.2kg	CZ0870n/112□-LED160W-B+□
 E	90W	40°	8 ~ 12m	T6	T5	10.8kg	CZ0870n/112□-LED90W-B+□
	120W	40°	8 ~ 12m	T6	T5	11kg	CZ0870n/112□-LED120W-B+□
	160W	40°	8 ~ 12m	T6	T5	11.2kg	CZ0870n/112□-LED160W-B+□
 F	90W	40°	8 ~ 12m	T6	T5	10.8kg	CZ0870n/112□-LED90W-B+□
	120W	40°	8 ~ 12m	T6	T5	11kg	CZ0870n/112□-LED120W-B+□
	160W	40°	8 ~ 12m	T6	T5	11.2kg	CZ0870n/112□-LED160W-B+□

灯具安装形式 The mounting ways of the light fittings

- A—吊杆灯 A—Pendant pole type lamp
- B—支架灯 B—Bracket type lamp
- C—平台灯 90° C—Platform type lamp 90°
- D—平台灯 25° D—Platform type lamp 25°
- E—墙壁灯 E—Wall type lamp
- F—马路灯 F—Street lamp

电缆引入装置编码详见第109页  
Code of cable gland see page 109

安装附件订购号 (不配不注) 附件详见第 109 页  
Order No. of mounting accessories (No matching not noted), see page 109

**● 电缆密封套引入编码 Code of cable gland**

	<b>B—支架灯电缆密封套编码</b> <b>E—墙壁灯电缆密封套编码</b>	<b>B—Code of cable gland for bracket type lamp</b> <b>E—Code of cable gland for wall typelamp</b>	
13	塑制 1 个 M25 × 1.5 电缆密封套, 塑制 3 个 M25 × 1.5 空塞堵头 One moulded plastic M25 × 1.5 cable gland, three moulded plastic M25 × 1.5 stopping plugs.		Φ8-17mm
22	塑制 2 个 M25 × 1.5 电缆密封套, 塑制 2 个 M25 × 1.5 空塞堵头 Two moulded plastic M25 × 1.5 cable glands, two moulded plastic M25 × 1.5 stopping plugs.		Φ8-17mm
31	塑制 3 个 M25 × 1.5 电缆密封套, 塑制 1 个 M25 × 1.5 空塞堵头 Three moulded plastic M25 × 1.5 cable glands, one moulded plastic M25 × 1.5 stopping plug.		Φ8-17mm
40	塑制 4 个 M25 × 1.5 电缆密封套 Four moulded plastic M25 × 1.5 cable glands		Φ8-17mm
04	塑制 4 个 M25 × 1.5 空塞堵头 Four moulded plastic M25 × 1.5 stopping plugs.		
注: 如配金属电缆密封套, 在编码后注明。 Note: If matched with metal cable gland, note after code.			
注: <b>A</b> —吊杆灯入口螺纹为 G3/4" 已标配, 不需再标注; <b>C</b> 、 <b>D</b> 、 <b>F</b> —平台灯、马路灯电缆密封套已标配, 不需再标注。 Note: <b>A</b> —Cable entry thread G3/4" for pendant pole type lamp is equipped, no need to be mentioned. <b>C</b> 、 <b>D</b> 、 <b>F</b> —Cable gland for platform type lamp, street lamp is equipped, no need to be mentioned.			

**● 安装附件 Mounting accessories:**

图样 Illustration	描述 Descriptions	单位 Unit	订购号 Order No.
吸顶支架 Ceiling bracket 	支架灯附件, 用于 CZ0870n/LED Accessories for bracket type lamp, for CZ0870n/LED	套 Set	D8722/3
安装支架 Mounting bracket 	支架灯附件, 用于 CZ0870n/LED Accessories for bracket type lamp, for CZ0870n/LED	套 Set	D8719/2
G3/4"-300直管 Straight pipe 	支架灯附件, 材料为镀锌钢管, 表面喷塑 Accessories for bracket type, galvanized steel pipe material and powder coated surface	套 Set	D732
吊链(500mm) Chain type accessories 	支架灯附件, M8 螺钉, 材料为钢制表面镀锌处理 Accessories for bracket type lamp, M8 bolt, made from steel with zinc-coated surface	套 Set	D623
护栏式灯杆 Lamp pole of fence type 	平台灯附件, G1 1/2" 镀锌钢管表面喷塑。 Accessories for platform type lamp, G1 1/2" galvanized steel pipe material and powder coated surface.	套 Set	D8726
法兰式灯杆 Lamp pole of flange type 	平台灯附件, G1 1/2" 镀锌钢管表面喷塑。 Accessories for platform type lamp, G1 1/2" galvanized steel pipe material and powder coated surface	套 Set	D8726

**● 马路灯安装附件: Accessories for street type lamp**

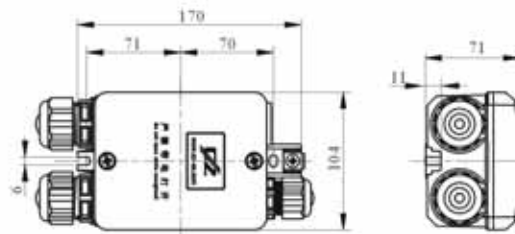
马路灯灯杆订购规格 Order specification of the lamp pole of street light:

图样 Illustration	描述 Descriptions	编码 Order No.
	单臂灯杆 Lamp pole of single arm	AH□+□
	双臂等长灯杆 Lamp pole of double arms with equal length	BH□+□
	双臂不等长灯杆 Lamp pole of double arms with non-equal length	CH□+□
灯杆高度 The height of lamp pole		
6m		
8m		
10m		
12m		
15m		
CZ0930 防爆接线盒订购编码		
The order No. of explosion-proof terminal box		

● CZ0930 防爆接线盒订购编码 The order No. of explosion-proof terminal box

图样 Illustration	描述 Descriptions	电缆入口 Cable entries			编码 Order No.
		进线口电缆 The inlet cable	进线口数量 The number of inlets	出线口数量 The number of outlets	
	单灯 配一个熔断器 Single lamp equipped with one fuse	橡胶套电缆 Rubber-coated cable	2 × M32 塑料电缆密封套 Moulded plastic cable gland	1 × M25 塑料电缆密封套 Moulded plastic cable gland	10
		铠装电缆 Armoured cable	2 × M32 铜制电缆密封套 Brass cable gland	1 × M25 铜制电缆密封套 Brass cable gland	11
	双灯 配二个熔断器 Double lamps equipped with two fuses	橡胶套电缆 Rubber-coated cable	2 × M32 塑料电缆密封套 Moulded plastic cable gland	2 × M25 塑料电缆密封套 Moulded plastic cable gland	20
		铠装电缆 Armoured cable	2 × M32 铜制电缆密封套 Brass cable gland	2 × M25 铜制电缆密封套 Brass cable gland	21

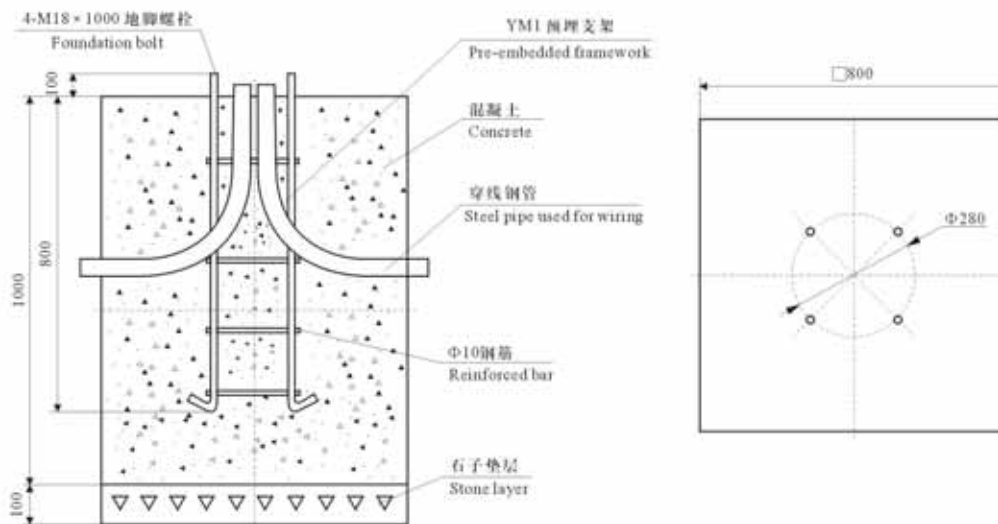
● CZ0930防爆接线盒外形尺寸 The outline dimension of the explosion-proof terminal box:



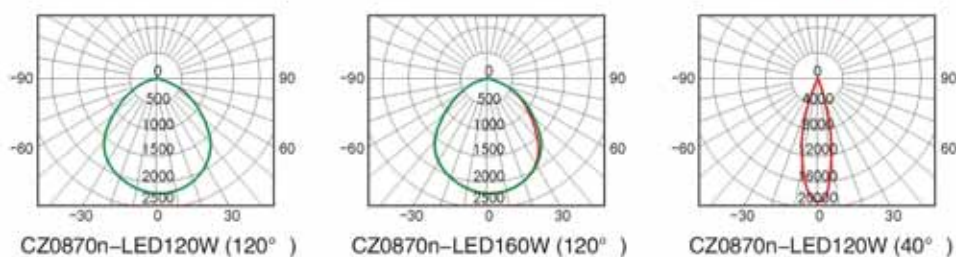
● 基础示意图 Base diagram:

此基础图用于灯杆高度10米以下的路灯基础。

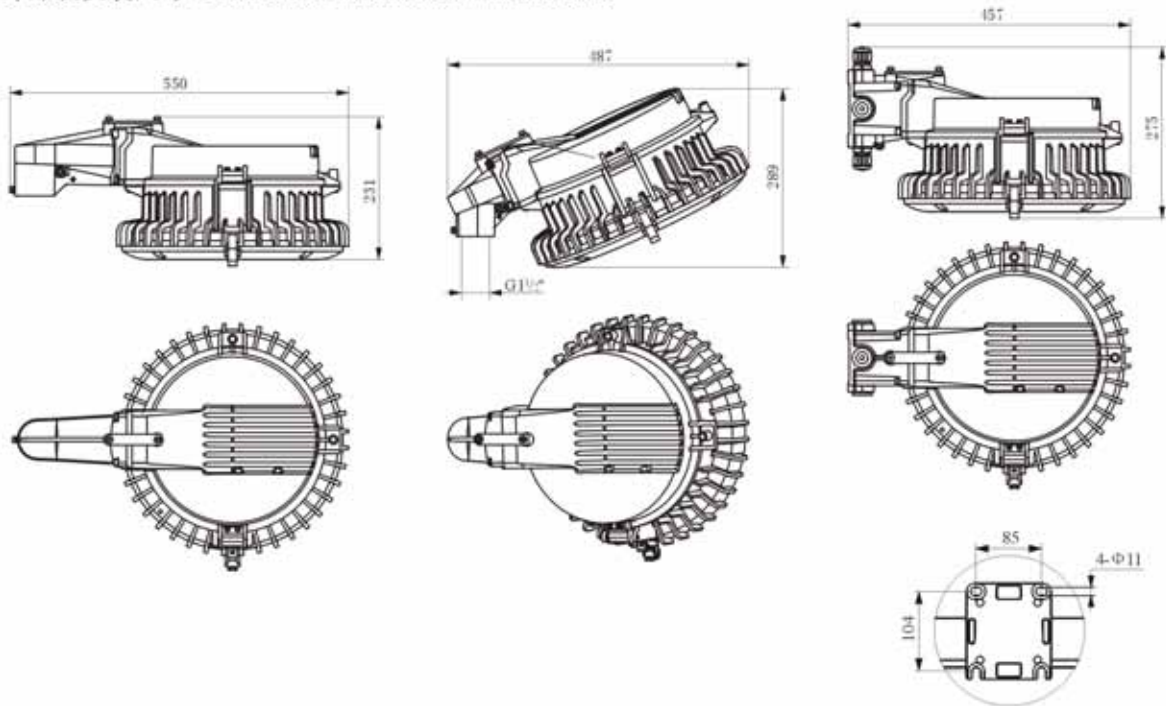
This base diagram is used for the lamp hole with height less than 10 meters.



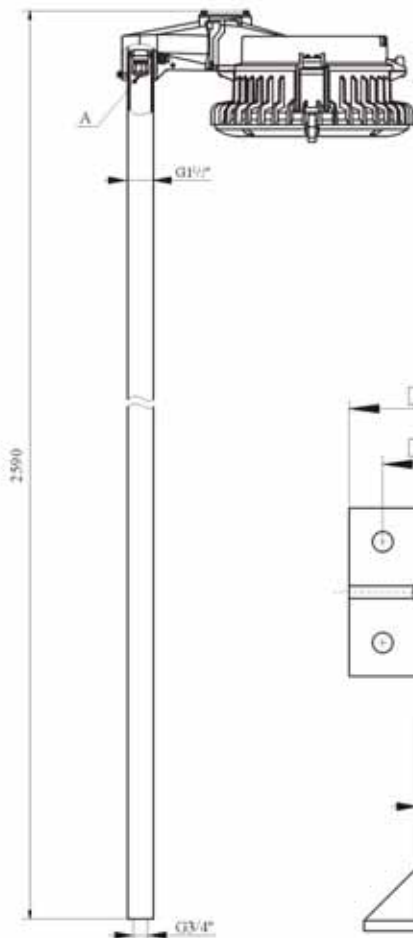
● 配光曲线 Luminous intensity distribution curve: 光强单位 Luminous intensity unit: cd



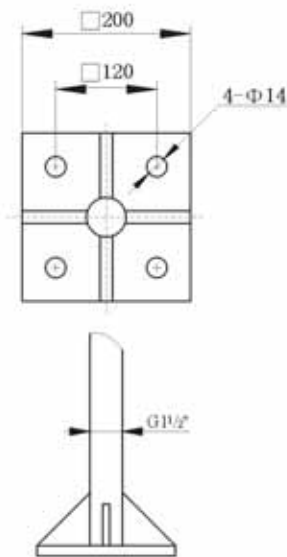
• 外形及安装尺寸 Outline and installation dimensions:



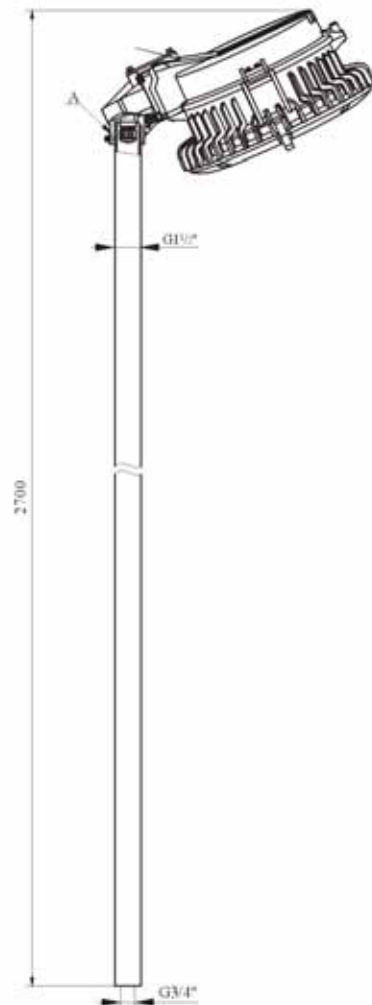
A 处表示内装M25塑料电缆密封套  
A represents a built-in moulded plastic M25 cable gland.



C — 灯头安装90° 护栏式安装  
C — Lamp cap mounted in the angle of 90° Fence type

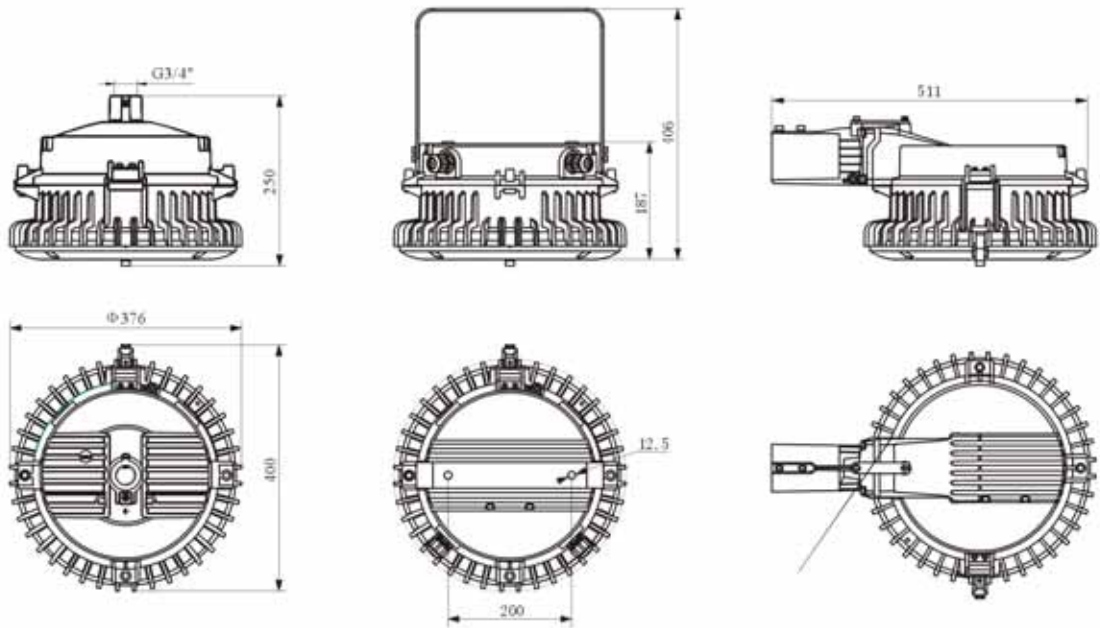


法兰式安装  
Flange type

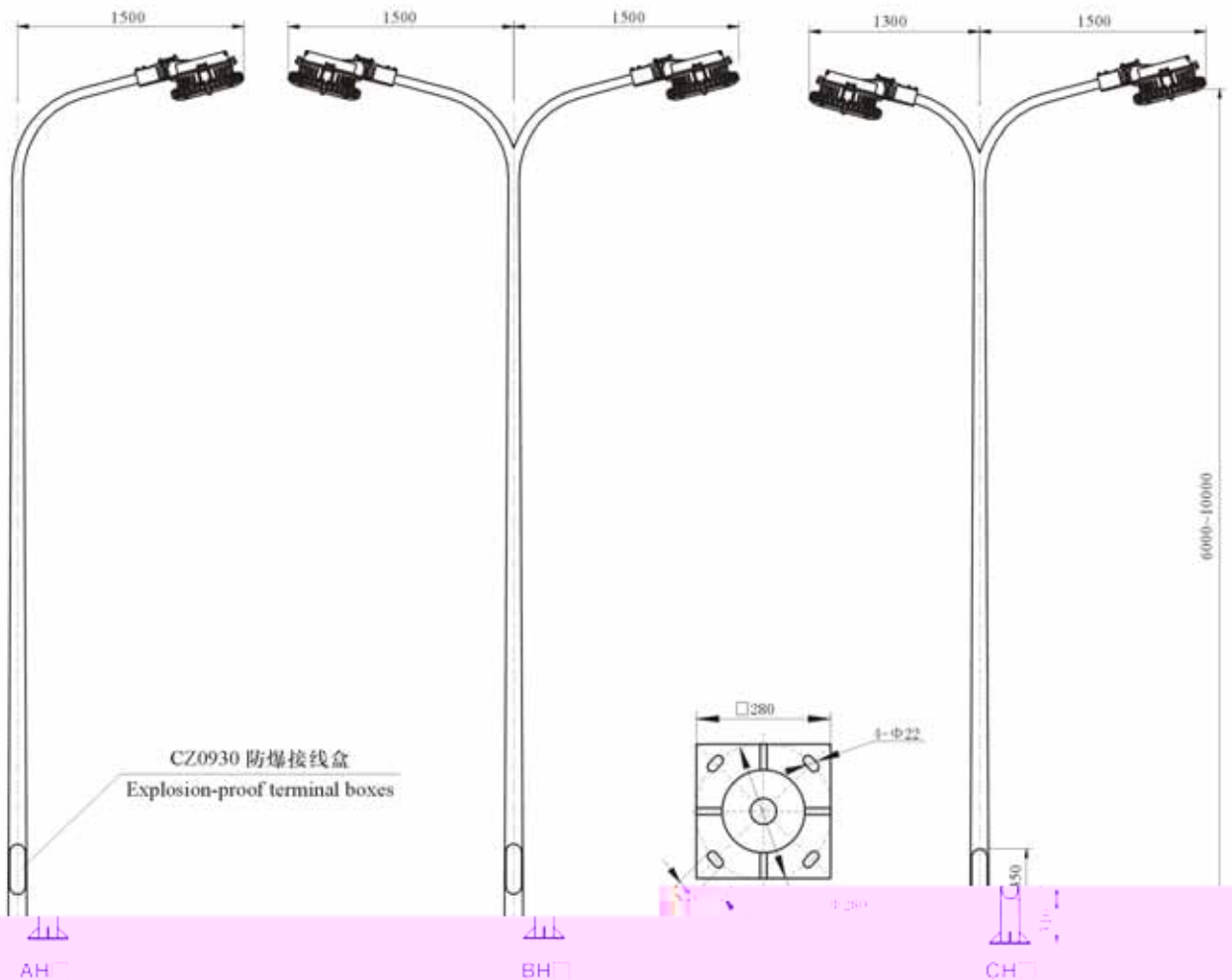


D — 灯头安装25° 护栏式安装  
D — Lamp cap mounted in the angle of 25° Fence type

• 外形及安装尺寸 Outline and installation dimensions:



• 安装形式和外形尺寸 Mounting ways and outline dimensions:



• 基础示意图详见第 110 页 Base diagram see page 110.