


描述

防爆马路灯由防爆灯头、防爆接线盒和灯杆配套使用，表面喷涂纯环氧树脂粉末，外露紧固件采用不锈钢材料，抗腐蚀性佳，广泛适用于各种化工道路及场所照明。

防爆灯透明罩采用硼硅酸盐钢化玻璃，内装有高纯铝镜面反射器，通过精确配光设计，具有更好的照明效果。防爆灯具内装金属卤化物灯、高压钠灯及镇流器、触发器和电容器。

防爆接线盒内装有防爆熔断器和防爆接线端子，适用于橡胶和铠装电缆布线。

灯杆采用优质钢制作成型，圆锥杆结构，内外热浸锌处理后表面静电喷塑，具有很强的抗腐蚀能力。

- 防爆最高等级IIC级
- 防护等级高达IP66
- 安装维护方便

Descriptions:

The explosion-proof street light fitting comprises the explosion-proof lamp cap, explosion-proof terminal box and lamp pole which are used together, with sprayed surfaces and stainless steel exposed fasteners, so that it has good anti-corrosion performance and can be extensively used for illumination for streets and locations in all chemical factories.

The transparent shield of the explosion-proof light fitting is made by the toughened glass of borosilicate. Explosion-proof light fitting fitted with high-purity aluminum reflector mirror can cause better illumination effect through the precise optical design. The metal halide lamp, high pressure sodium vapor lamp, ballast, trigger and capacitor are mounted inside.

There is explosion-proof fuse and explosion-proof terminals mounted in, which is applicable for rubber-coated and the armored cable wiring.

The lamp pole can be molded from high-quality steel, the structure of which is conical rod. Before the surface is to be high-voltage electrostatic sprayed, both inside and outside is hot-dip zinc-treated. Therefore, the lamp pole has good anti-corrosion performance.

- The highest class of flameproof is up to IIC.
- The degree of protection is up to IP66.
- It is convenient to be mounted and maintained.

1 区和 2 区
21 区和 22 区
Zone 1 and zone 2
Zone 21 and zone 22

- 配光曲线 Luminous intensity distribution curve:

光强单位 luminous intensity unit: cd/1000 Lm



● 主要数据 Main technical data:

认证 Certification | 防爆标志 Ex mark | 符合标准 Meet the standard

China (NEPSI Ex) Ex d II C T* DIP A21 Ta,T* (防爆马路灯头 The lamp cap of Ex street light) GB3836 GB12476

China (NEPSI Ex) Ex emb II T6 DIP A21 Ta,T6 (防爆接线盒 Explosion-proof terminal box) GB3836 GB12476

适用范围: 用于 1 区和 2 区 用于 21 区和 22 区

Intended use: Can be used in zone 1 and zone 2

防护等级: IP66

Can be used in zone 21 and zone 22

额定电压: 220V AC 50Hz

Degree of protection: IP66

220V AC, 230V AC, 240V AC 50Hz, 60Hz

Rated voltage: 220V AC 50Hz

使用环境温度: $-20^{\circ}\text{C} < \text{Ta} < 50^{\circ}\text{C}$

220V AC, 230V AC, 240V AC 50Hz, 60Hz

接线端子: L1, N 笼式端子 $2 \times 1.5-10\text{mm}^2$,

Ambient temperature: $-20^{\circ}\text{C} < \text{Ta} < 50^{\circ}\text{C}$

PE 端子 $2 \times 10\text{mm}^2$

Terminal: L1, N Cage type terminal $2 \times 1.5-10\text{mm}^2$, PE terminal: $2 \times 10\text{mm}^2$

● 防爆马路灯头订购规格 The order specification of the lamp cap of explosion-proof street light

图样 Illustration	光源代号 Light source code	灯座代号 Lampholder code	功率 Power	温度组别T* Temperature class*	重量 Weight	订购号 Order No.
				Ta ≤ 50°C		
	金属卤化物灯-J Metal halide lamp-J	E40	250W	T3	16.4kg	CZ0870d-J250W25
		E40	400W	T3	17kg	CZ0870d-J400W25
	高压钠灯-N High pressure sodium vapor lamp-N	E40	150W	T4	14.3kg	CZ0870d-N150W25
		E40	250W	T4	14.6kg	CZ0870d-N250W25
		E40	400W	T4	15kg	CZ0870d-N400W25

额定电压 Rated voltage ◀

2 220V AC 4 240V AC

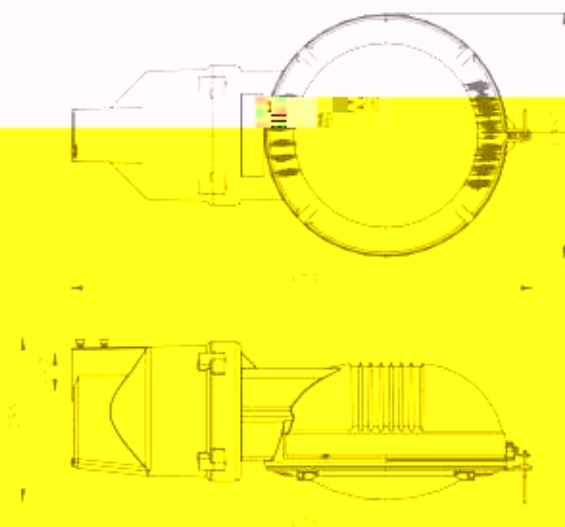
3 230V AC 6 230V 240V AC

额定频率 Rated frequency ◀

5 50Hz

6 60Hz

● 防爆马路灯头外形尺寸 The outline dimension of the lamp cap of the explosion-proof street light:



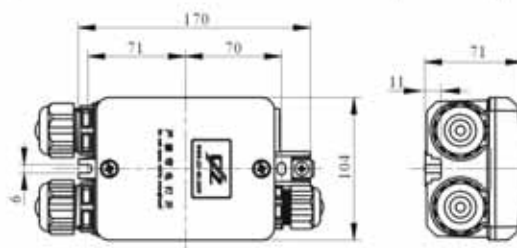
- 马路灯安装附件: Accessories for street type lamp
马路灯灯杆订购规格 Order specification of the lamp pole of street light:

	描述 Descriptions	编码 Order No.
	单臂灯杆 Lamp pole of single arm	AH□+□
	双臂等长灯杆 Lamp pole of double arms with equal length	BH□+□
	双臂不等长灯杆 Lamp pole of double arms with non-equal length	CH□+□
灯杆高度 The height of lamp pole		6m 8m 10m 12m 15m
CZ0930 防爆接线盒订购规格 The order specification of explosion-proof terminal box		

- CZ0930 防爆接线盒订购规格 The order specification of explosion-proof terminal box

图样 Illustration	描述 Descriptions	电缆入口 Cable entries			编码 Order No.
		进线口电缆 The inlet cable	进线口数量 The number of inlets	出线口数量 The number of outlets	
	单灯 配一个熔断器 Single lamp equipped with one fuse	橡胶套电缆 Rubber-coated cable	2 × M32 塑料电缆密封套 Moulded plastic cable gland	1 × M25 塑料电缆密封套 Moulded plastic cable gland	10
		铠装电缆 Armoured cable	2 × M32 铜制电缆密封套 Brass cable gland	1 × M25 铜制电缆密封套 Brass cable gland	11
	双灯 配二个熔断器 Double lamps equipped with two fuses	橡胶套电缆 Rubber-coated cable	2 × M32 塑料电缆密封套 Moulded plastic cable gland	2 × M25 塑料电缆密封套 Moulded plastic cable gland	20
		铠装电缆 Armoured cable	2 × M32 铜制电缆密封套 Brass cable gland	2 × M25 铜制电缆密封套 Brass cable gland	21

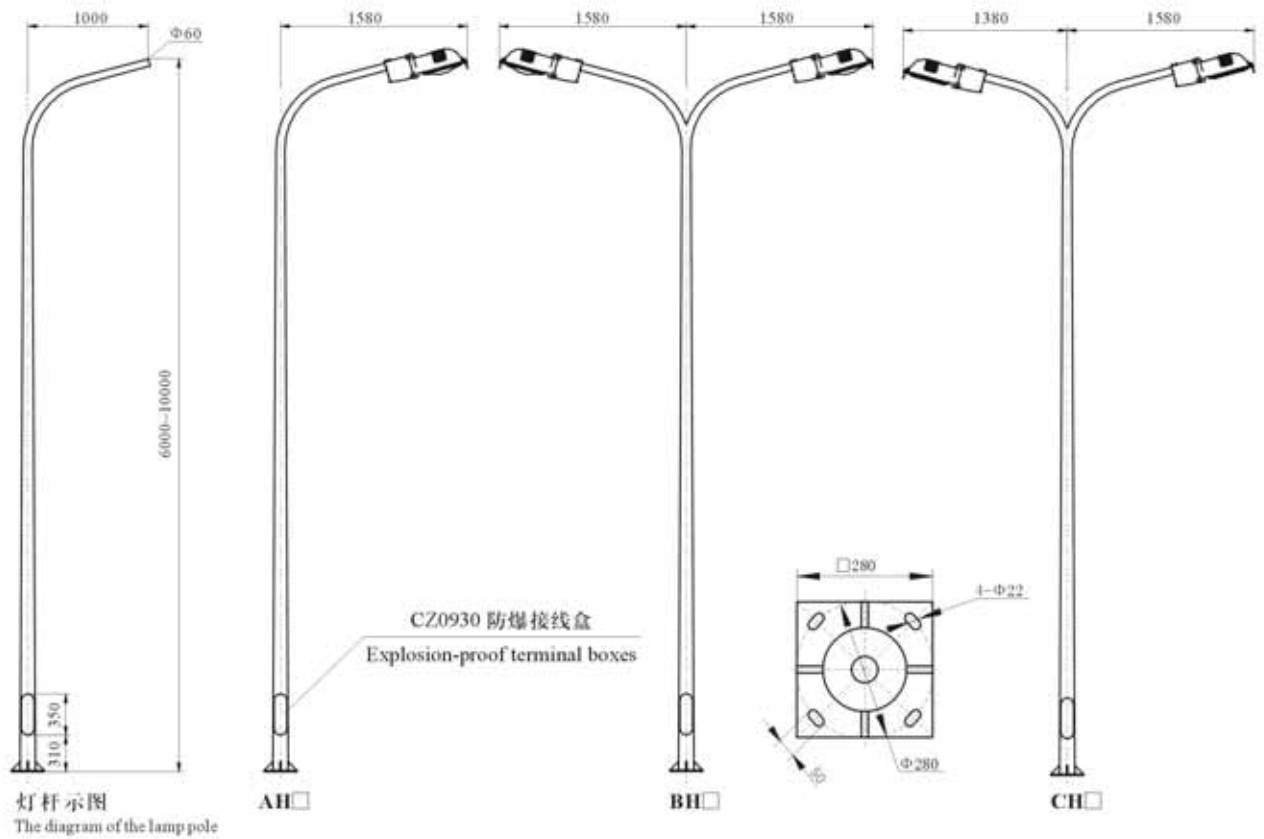
- CZ0930防爆接线盒外形尺寸 The outline dimension of the explosion-proof terminal box:



- 光源备件 Spare parts of light source:

图样 Illustration	功率 Power	灯座 Lampholder	光通量 Luminous flux	单位 Unit	订购号 Order No.
	250W	E40	20500lm	只 Piece	HQI-T250/D
	400W	E40	32000lm	只 Piece	HQI-BT400/D
	150W	E40	14500lm	只 Piece	NAV - T 150
	250W	E40	27000lm	只 Piece	NAV-T 250...
	400W	E40	48000lm	只 Piece	NAV - T 400

- 安装形式和外形尺寸 Mounting ways and outline dimensions:



- 基础示意图 Base diagram:

此基础图用于灯杆高度10米以下的路灯基础。

This base diagram is used for the lamp hole with height less than 10 meters.

